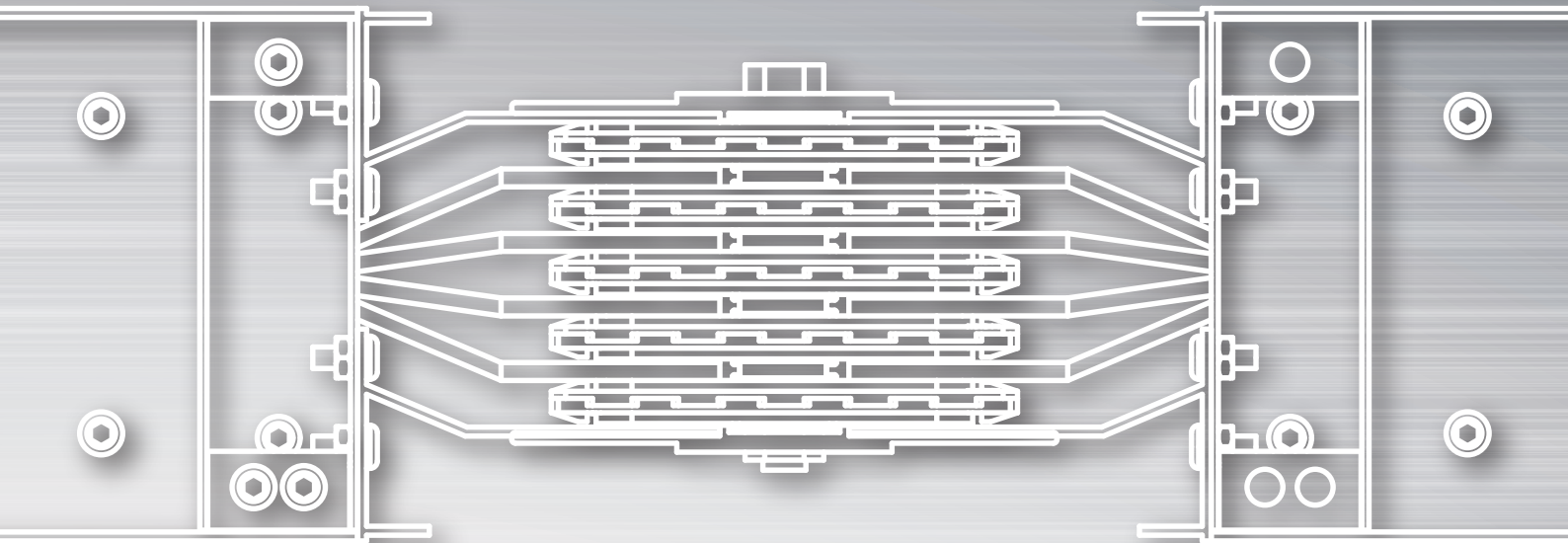


BUSBAR TRUNKING SYSTEM

BUSWAY

400A ÷ 6300A



***POWERTRUNK* Series**

COMPAC
ELECTRIC

ABOUT COMPAC ELECTRIC AND BUSBAR TRUNKING SYSTEM

The collage features several key elements:

- Top Left:** A blue graphic for the **SysLINK** busbar trunking system, rated for 160A - 800A.
- Top Right:** A red graphic for the **POWERFLOW** Series busbar trunking system, rated for 630A + 6300A.
- Center Right:** A grid of images showing various material options for busbar trunking: sheet steel, aluminum, plastic, earth wire, sheet steel, stainless steel, brackets, and polyester.
- Bottom Left:** A blue graphic for **Automatic Transfer Switches**, featuring a cityscape background and the Compac Electric logo.
- Bottom Right:** A photograph of a digital meter with a display showing 2300 V and 000086.00 kWh, with a RoHS CE certification mark.

INDEX

- ABOUT COMPAC ELECTRIC AND BUSBAR TRUNKING SYSTEM
- FEATURES & ADVANTAGE OF POWERTRUNK BUSBAR TRUNKING SYSTEM
- ELEMENTS OF POWERTRUNK AND ASSEMBLY LAYOUT

ELEMENTS& DIMENSIONS (FITTINGS)

- STRAIGHT LENGTH (AS FEEDER LENGTH)
- STRAIGHT PLUG-IN LENGTH (AS PLUG-IN LENGTH)
- EDGEWISE ELBOW (AS DIHEDRAL ELBOW)
- FLATWISE ELBOW (AS FLAT ELBOW)
- FLATWISE TEE ELEMENT
- TERMINAL UNIT & DETAILS (AS FLANGE END)
- TAP-OFF BOXES (AS PLUG-IN UNITS)
- END BOX (AS END CABLE TAP BOX)
- END COVER
- HANGERS FOR VERTICAL & HORIZONTAL INSTALLATION
- DIMENSIONS

OTHER SPECIAL ELEMENTS

- EXPANSION SECTION
- REDUCER SECTION
- WALL/FLOOR FLANGE

SPECIAL NOTES

- PROTECTION CLASS
- REQUIREMENT OF MINIMUM CLEARANCE FOR HEAT DISSIPATION
- REQUIREMENT OF MINIMUM CLEARANCE FOR TAP-OFF BOXES (PLUG-IN UNITS)

TECHNICAL DATA

- COPPER CONDUCTORS
- ALUMINIUM CONDUCTORS



FEATURES & ADVANTAGE OF POWERTRUNK BUSBAR TRUNKING SYSTEM

2

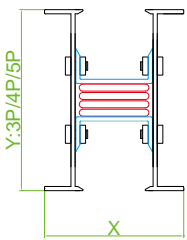
- COMPLIES TO INTERNATIONAL STANDARDS:
 - EN 61439-6, IEC 61439-6, EN 60439-1&2, IEC 60439-1&2, UL857
- RATED CURRENT FROM 400A UP TO 6300A
 - **TYPE:** AVAILABLE VERSIONS:
 - 3 POLES (3 CONDUCTORS)
 - A:** 3P+PE (WITH PE 50%UP OF PHASE FROM ENCLOSURE)
 - 4 POLES (4 CONDUCTORS)
 - B:** 3P+FE+PE (FE AS 100% OF PHASE FOR EARTH BAR, WITH PE 50%UP OF PHASE FROM ENCLOSURE)
 - C:** 3P+N+PE (WITH PE 50%UP OF PHASE FROM ENCLOSURE)
 - 5 POLES (5 CONDUCTORS)
 - D:** 3P+2N+PE (WITH PE 50%UP OF PHASE FROM ENCLOSURE)
 - E:** 3P+N+FE+PE (FE AS100% OF PHASE FOR EARTH BAR, WITH PE 50%UP OF PHASE FROM ENCLOSURE)

Note: PE can be functioned "G" as Grounding or "E" as Earth bar which is provided BBT's Enclosure per application.
- FULL EXTRUDED ALUMINIUM ALLOY ENCLOSURE WITH THICKNESS at 3mm FOR EACH LAYER OF CASING. MAXIMUM CONBINATION OF ENCLOSURE IS REACH 6mm THICKNESS.IT BRINGS MORE THAN 50% OF THE PHASE FROM PROTECTION CONDUCTOR (PE).
- FULL EXTRUDED ALUMINIUM ALLOY ENCLOSURE CUTS BBT's WEIGHT UP TO 50%, AND IT'S FASTER AND REDUCING COST FOR INSTALLATION
- VERY GOOD HEAT DISSIPATION, COMPACT SIZE, HIGH SHORT-CIRCUIT STRENGTH, LOW IMPEDANCE, LOW VOLTAGE DROP AND GOOD CORROSION STRENGTH.
- IP 40/43/55/65/67 PROECTION DEGREE(EN60529) ARE AVAILABLE.
- VOLTAGE UP TO 1000V AT FREQUENCY OF 50/60HZ.
- ALL CONDUCTORS ARE COMPLETELY WRAPPED WITH CLASS F 155°C INSULATION MATERIAL at 0.5mm(Max.) THICKNESS.
- RAL 7037 FOR STANDARD PAINTED VERSION (SPECIAL COLOR IS AVAILABLE BY CUSTOMER REQUEST).

**FEATURES & ADVANTAGE
OF POWERTRUNK BUSBAR TRUNKING SYSTEM**

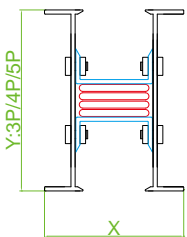
- CONDUCTORS:
 - PURE ELECTROLYTIC COPPER WITH 99.8%UP PURITY AND 100% IACS. CAN BE TIN-PLATED OR SILIVER-PLATED(OPTIONAL)
 - HIGHT CONDUCTIVITY ALUMINIUM BUSBAR.
- EASY INSTALLATION WITH SINGLE-BOLT JOINT.
- BBT ARE ASSEMBLED SANDWICH TYPE.
- WITH STRAIGHT PLUG-IN LENGTH VERSION THE THREE METERS SECTIONS COME WITH 6 TAP-OFF OUTLETS.
- TAP-OFF BOXES WITH SWITCH, FUSES OR MCCB's.
- LOW JOULE LOSSES WHICH CONTRIBUTES TO ENERGY SAVINGS.(REFER TO TECHNICAL DATA)
- EXCELLENT HEAT DISSIPATION THROUGH WIDE SURFACE AND THICK EXTRUDED ALUMINIUM ALLOY ENCLOSURE.

POWERTRUNK BUSWAY DIMENSIONS(CU)



Rating(A)		400	630	800	1000	1250	1600	2000	2500	3200	4000	5000	6300
Dimensions (mm)	x	82	90	100	113	130	170	210	250	346	426	506	642
	y	148											

POWERTRUNK BUSWAY DIMENSIONS(AL)

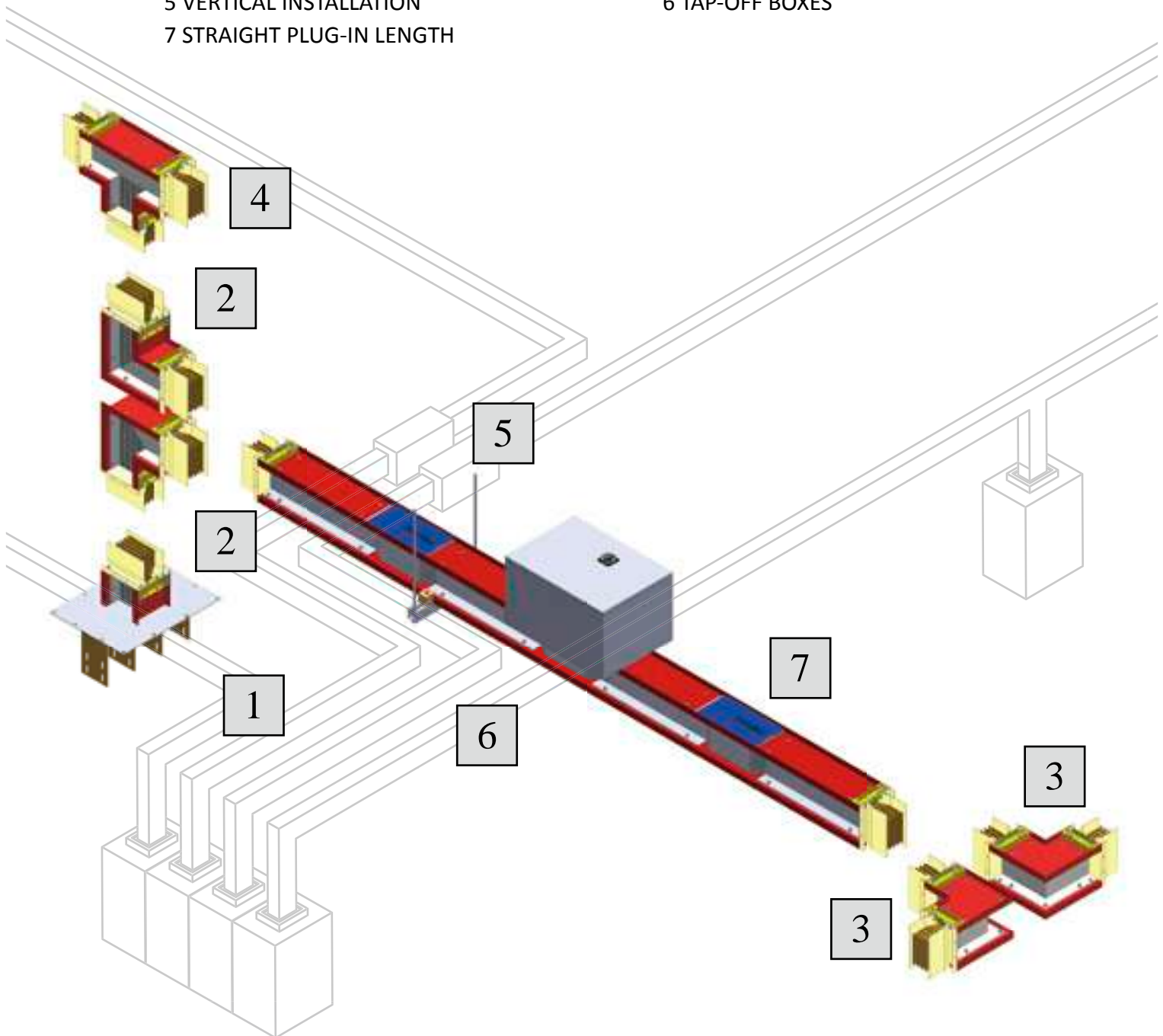


Rating(A)		400	630	800	1000	1250	1600	2000	2500	3200	4000	5000	
Dimensions (mm)	x	90	113	130	160	190	240	290	386	486	586	732	
	y	148											

FOR A SAMPLE OF BUSBAR TRUNKING SYSTEM COMBINATION AS BELOW, CUSTOMER MAY FOLLOW THIS PROCEDURE PER OUR RECOMMENDATION.

- 1 TERMINAL UNIT
- 3 EDGEWISE ELBOW
- 5 VERTICAL INSTALLATION
- 7 STRAIGHT PLUG-IN LENGTH

- 2 FLATWISE ELBOW
- 4 FLATWISE TEE ELEMENT
- 6 TAP-OFF BOXES



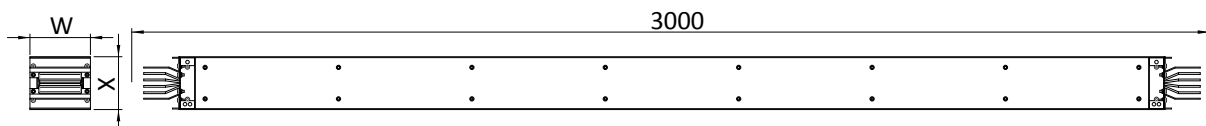
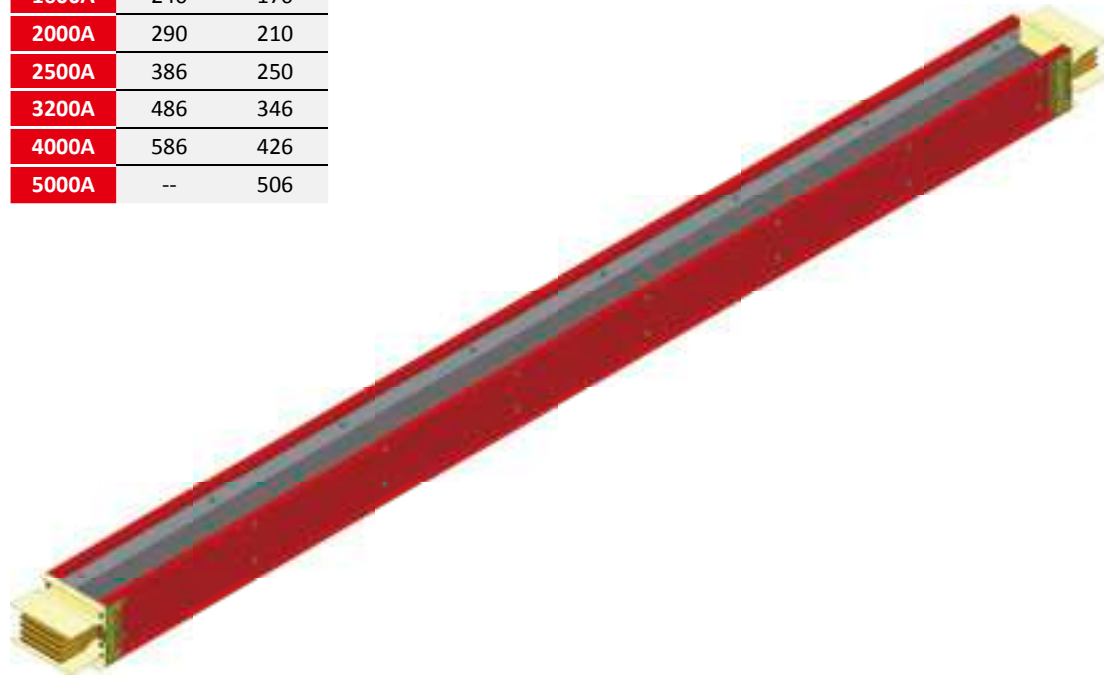
ELEMENTS & DIMENSIONS (FITTINGS)

STRAIGHT LENGTH (AS FEEDER LENGTH)

WHERE YOU START THE BEGINNING OF THE RUN, THE POSITION OF THE NEUTRAL IS AT LEFT.

(W)	AL	CU
400A	90	82
630A	113	90
800A	130	100
1000A	160	113
1250A	190	130
1600A	240	170
2000A	290	210
2500A	386	250
3200A	486	346
4000A	586	426
5000A	--	506

(X)	3P	4P	5P
	148	148	148



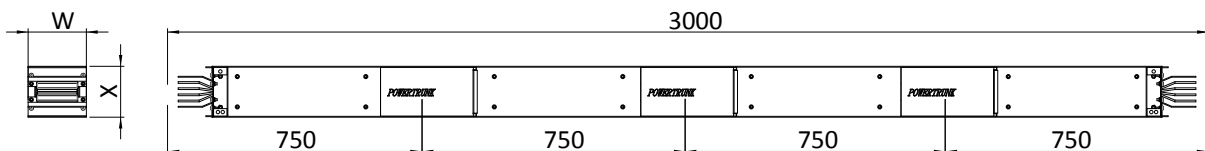
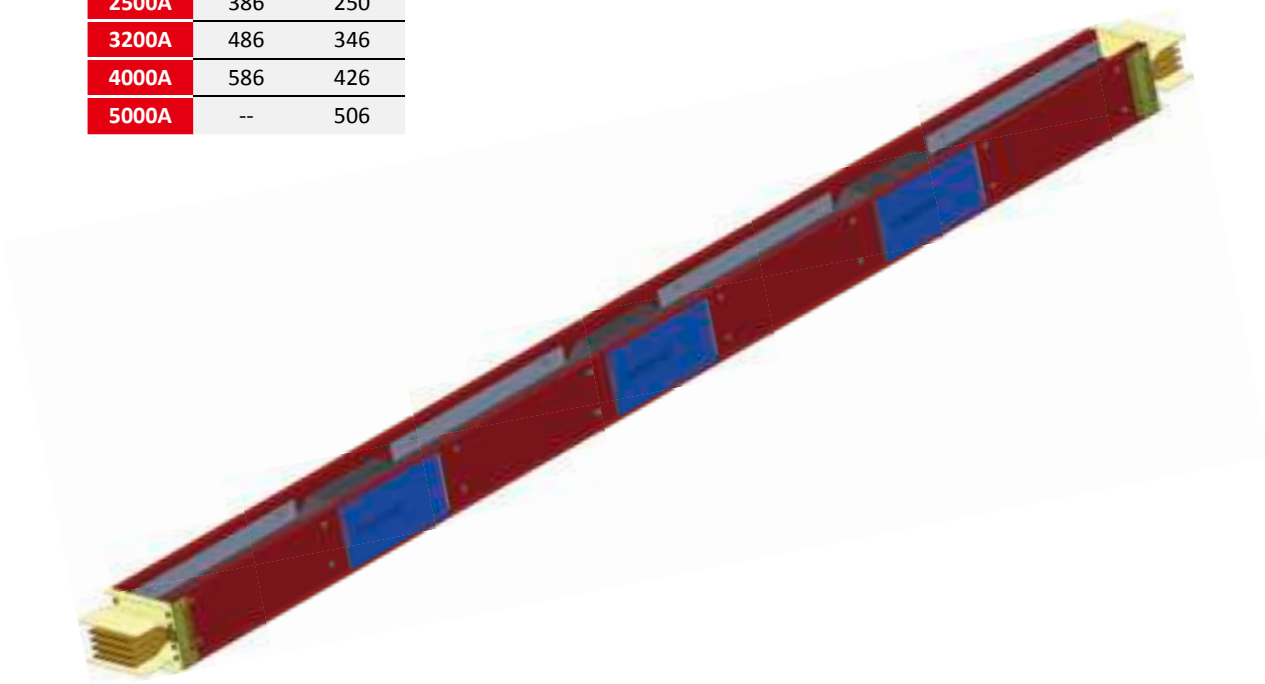
ELEMENTS & DIMENSIONS (FITTINGS)

STRAIGHT PLUG-IN LENGTH (AS PLUG-IN LENGTH)

WHERE YOU DESIGNE ALL YOUR OUTLET POSITION FOR TAP-OFF BOXES, THE STANDARD PIECES IS 3 METERS WITH TOTAL 6 NUMBERS OF OUTLETS. IT MAY ADD MORE OUTLETS BY REQUEST.

(W)	AL	CU
400A	90	82
630A	113	90
800A	130	100
1000A	160	113
1250A	190	130
1600A	240	170
2000A	290	210
2500A	386	250
3200A	486	346
4000A	586	426
5000A	--	506

(X)	3P	4P	5P
	148	148	148



ELEMENTS & DIMENSIONS (FITTINGS)

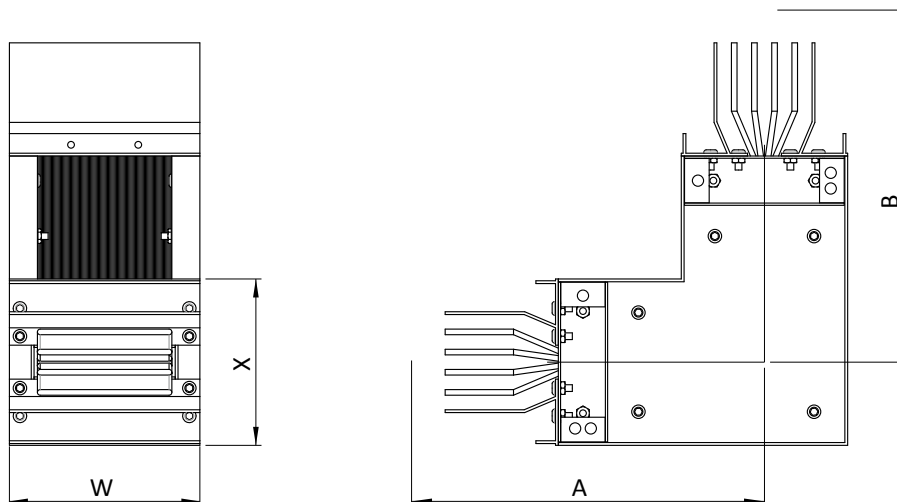
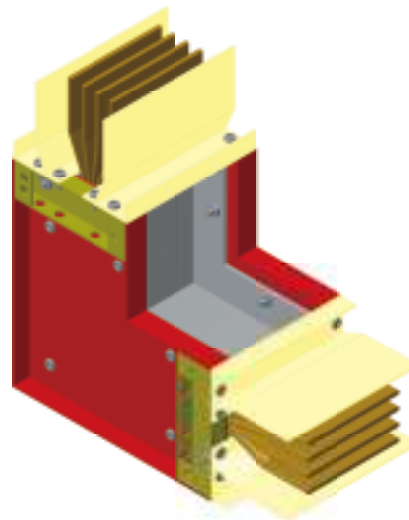
EDGEWISE ELBOW (AS DIHEDRAL ELBOW)

WHERE THE RUN NEEDS TO TURN RIGHT, CHOOSE RIGHTWARD ELBOW (RH) OR TO TURN LEFT, CHOOSE LEFTWARD ELBOW (LH).

(W)	AL	CU
400A	90	82
630A	113	90
800A	130	100
1000A	160	113
1250A	190	130
1600A	240	170
2000A	290	210
2500A	386	250
3200A	486	346
4000A	586	426
5000A	--	506

(X)	3P	4P	5P
	148	148	148

		(A)	(B)
400~4000A AL	std	300	300
400~5000A CU	min	300	300
	max	849	849



ELEMENTS & DIMENSIONS (FITTINGS)

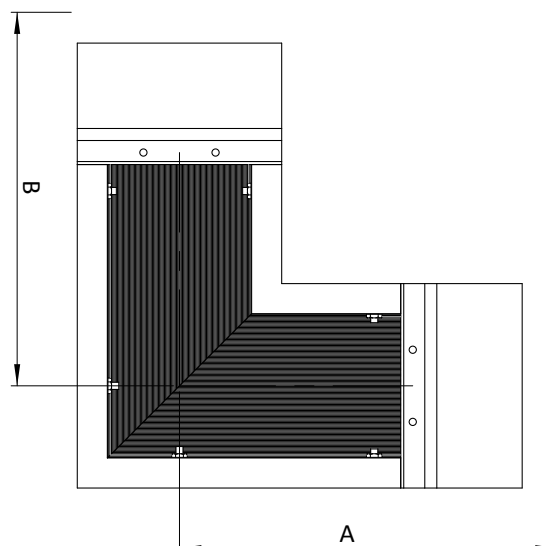
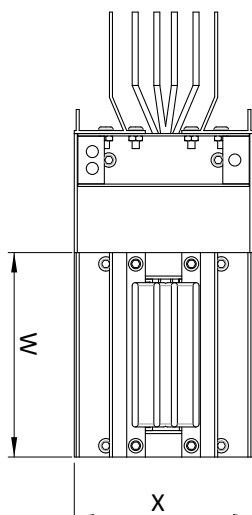
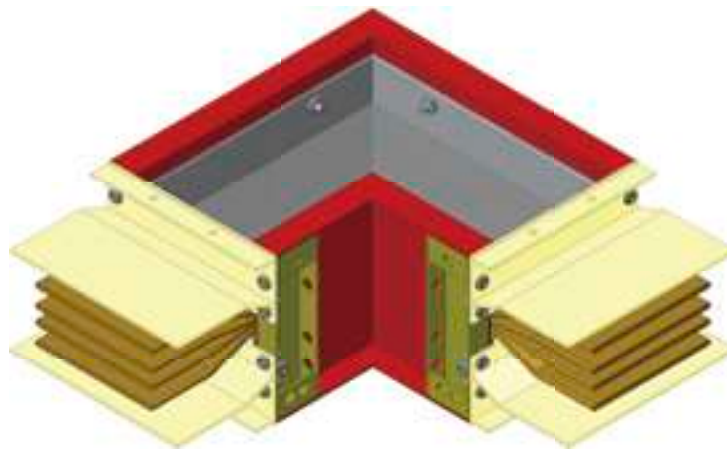
FLATWISE ELBOW (AS FLAT ELBOW)

WHERE THE RUN NEEDS TO TURN UP, CHOOSE RIGHT ELBOW (RH) OR TO TURN DOWN, CHOOSE LEFT ELBOW (LH).

(W)	AL	CU
400A	90	82
630A	113	90
800A	130	100
1000A	160	113
1250A	190	130
1600A	240	170
2000A	290	210
2500A	386	250
3200A	486	346
4000A	586	426
5000A	--	506

(X)	3P	4P	5P
	148	148	148

		(A)	(B)
400~1600A AL	std	300	300
	min	300	300
	max	849	849
400~2500A CU	std	450	450
	min	450	450
	max	1049	1049
2000~3200A AL	std	600	600
	min	600	600
	max	1049	1049
3200~5000A CU	std	600	600
	min	600	600
	max	1049	1049



ELEMENTS & DIMENSIONS (FITTINGS)

FLATWISE TEE ELEMENT

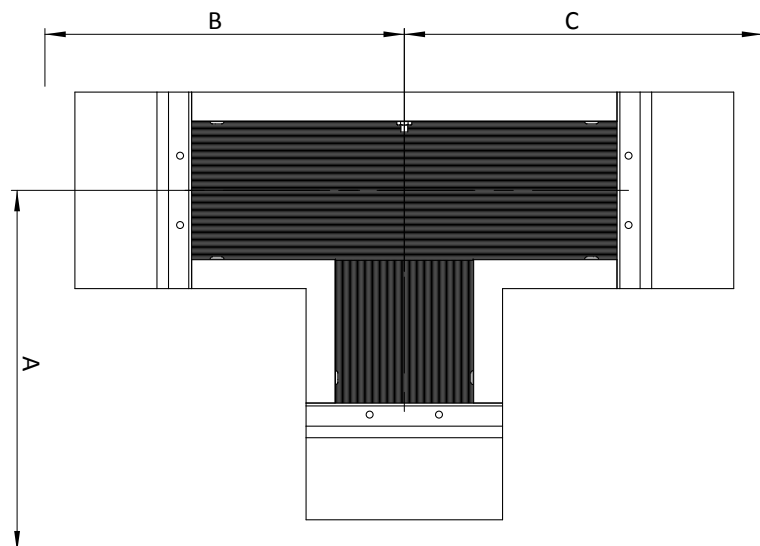
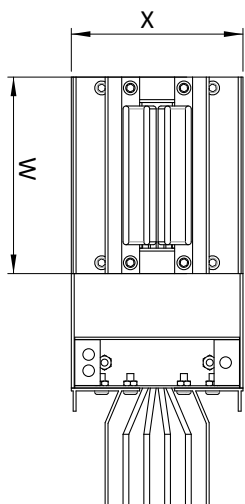
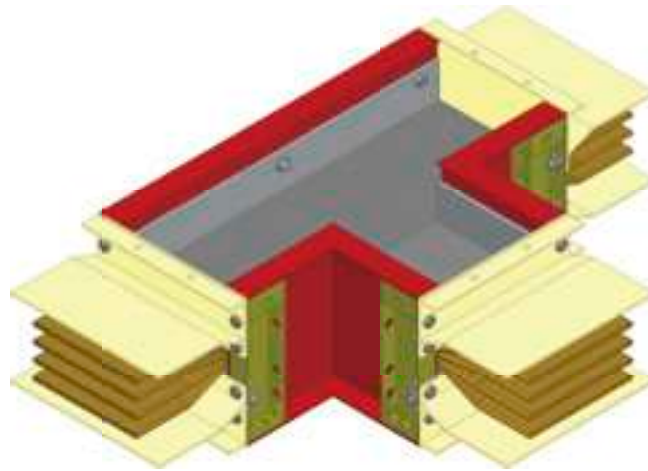
WHEN THE RUN NEEDS TWO WAYS OUT, NEUTRAL TO THE LEFT. DERIVATION UP, CHOOSE RIGHT CODE, DERIVATION DOWN, CHOOSE LEFT CODE.

Note: Edgewise TEE element may produce by request.

(W)	AL	CU
400A	90	82
630A	113	90
800A	130	100
1000A	160	113
1250A	190	130
1600A	240	170
2000A	290	210
2500A	386	250
3200A	486	346
4000A	586	426
5000A	--	506

(X)	3P	4P	5P
	148	148	148

		(A)	(B)	(C)
400~1600A AL	std	300	300	300
400~2500A CU	min	300	300	300
	max	849	849	849
2000~4000A AL	std	600	600	600
3200~5000A CU	min	600	600	600
	max	1049	1049	1049



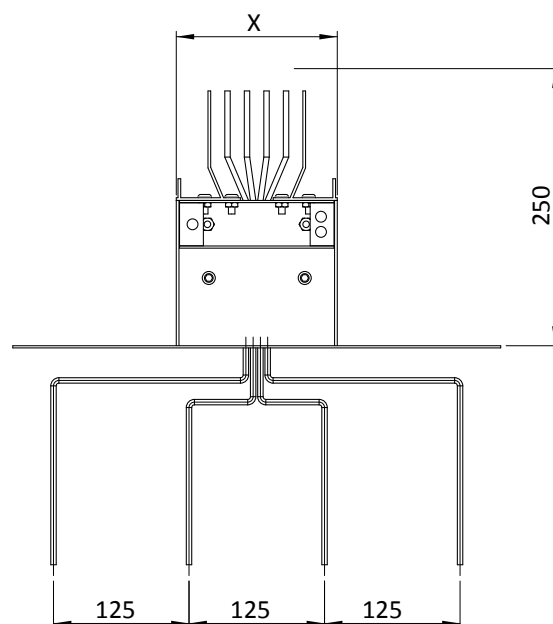
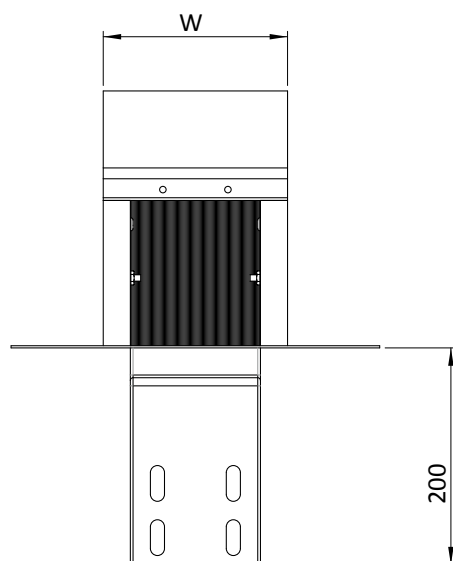
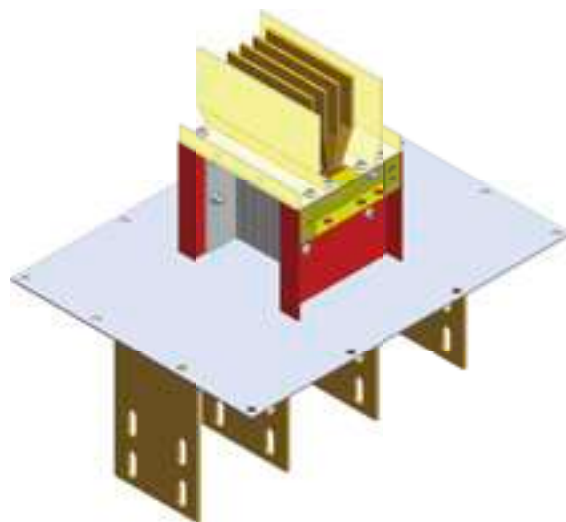
ELEMENTS & DIMENSIONS (FITTINGS)

TERMINAL UNIT & DETAILS (AS FLANGE END)

WHERE THE RUN NEEDS TO CONNECT TO SWITCHBOARD (ELECTRICAL PANEL),
NEUTRAL TO THE LEFT WITH JOINT, CHOOSE RIGHT CODE OR WITHOUT JOINT,
CHOOSE LEFT CODE.

(W)	AL	CU
400A	90	82
630A	113	90
800A	130	100
1000A	160	113
1250A	190	130
1600A	240	170
2000A	290	210
2500A	386	250
3200A	486	346
4000A	586	426
5000A	--	506

(X)	3P	4P	5P
	148	148	148

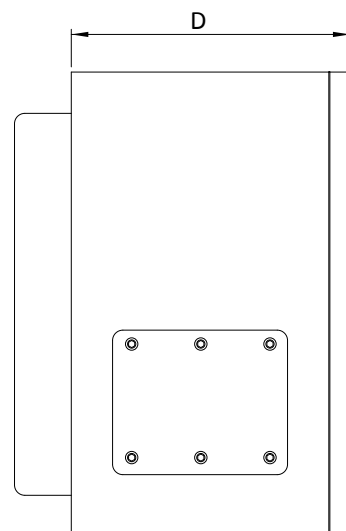
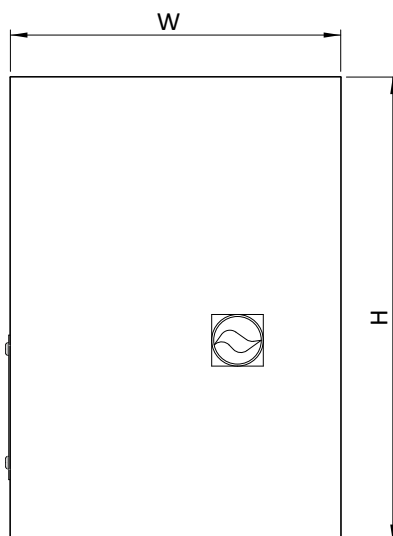
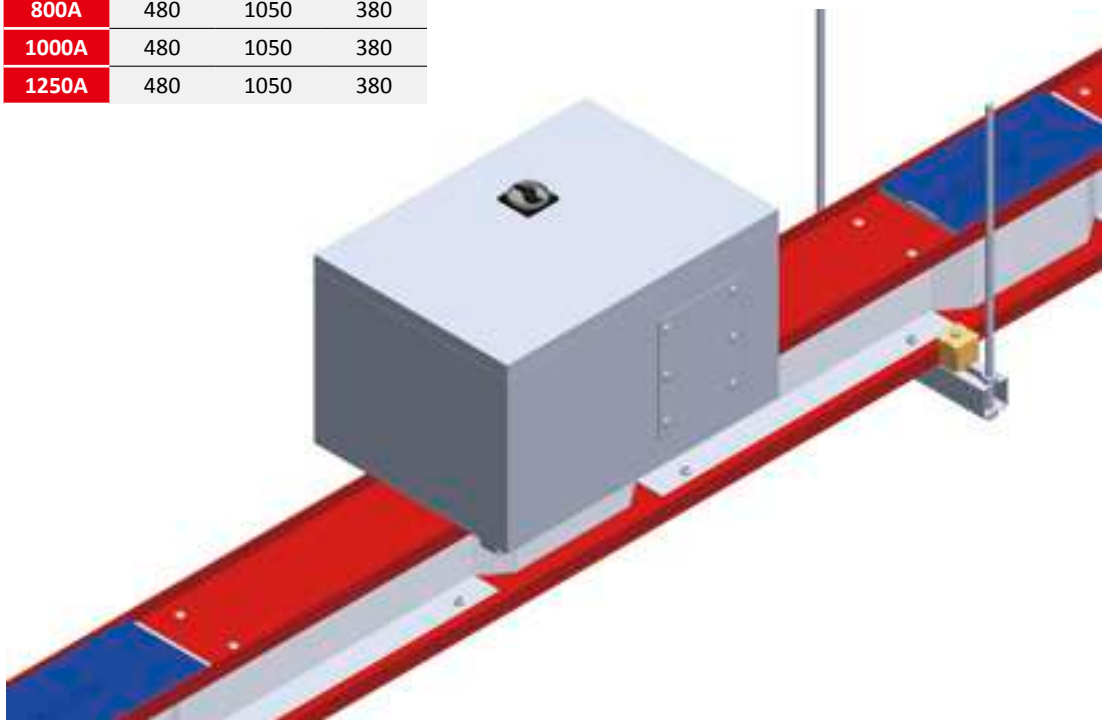


ELEMENTS & DIMENSIONS (FITTINGS)

TAP-OFF BOXES (AS PLUG-IN UNITS)

WHERE THE RUN COMES WITH OUTLETS LENGTH TO PLUG WITH TAP-OFF BOXES.
 TAP-OFF BOX CAN BE WITH SWITCH, FUSE WITH SWITCH OR MCCB'S

	(W)	(H)	(D)
100A	320	450	270
250A	320	450	270
400A	360	600	320
630A	360	600	320
800A	480	1050	380
1000A	480	1050	380
1250A	480	1050	380



ELEMENTS & DIMENSIONS (FITTINGS)

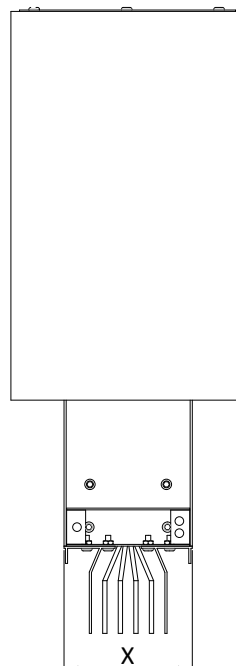
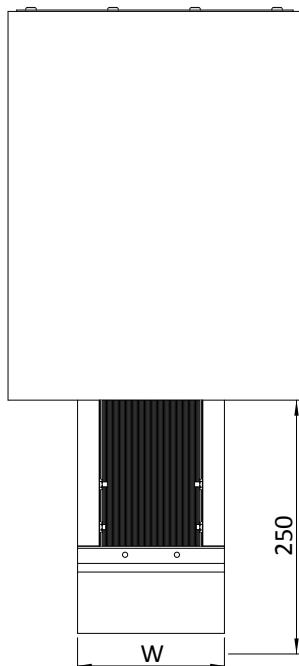
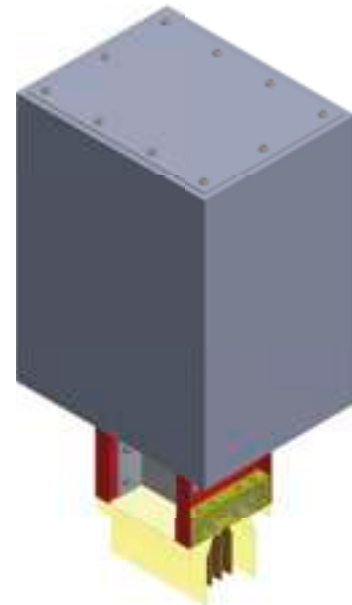
END BOX (AS END CABLE TAP BOX)

WHERE THE RUN IS END (OR BEGINNING) WITH BOX WHERE MAYBE NEED TO CONNECT WITH CABLEING SYSTEM.

(W)	AL	CU
400A	90	82
630A	113	90
800A	130	100
1000A	160	113
1250A	190	130
1600A	240	170
2000A	290	210
2500A	386	250
3200A	486	346
4000A	586	426
5000A	--	506

(X)	3P	4P	5P
	148	148	148

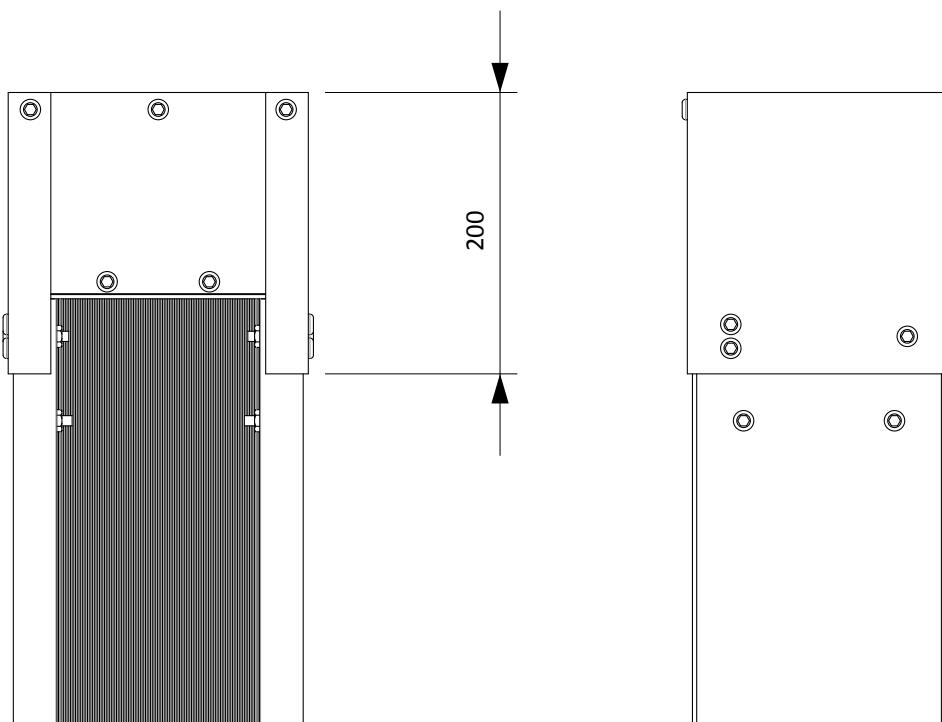
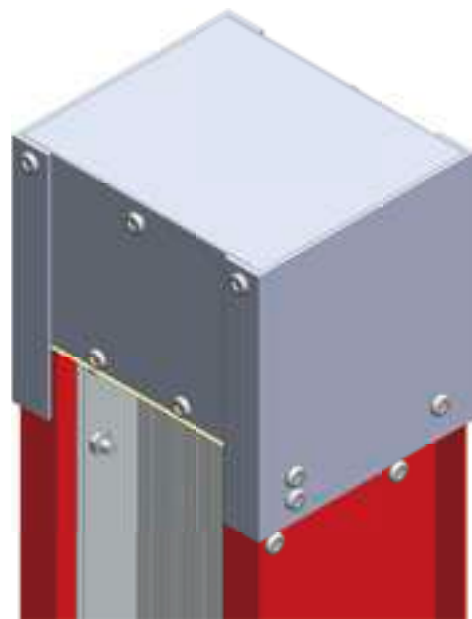
For dimensions, please contact our technical department.



ELEMENTS & DIMENSIONS (FITTINGS)

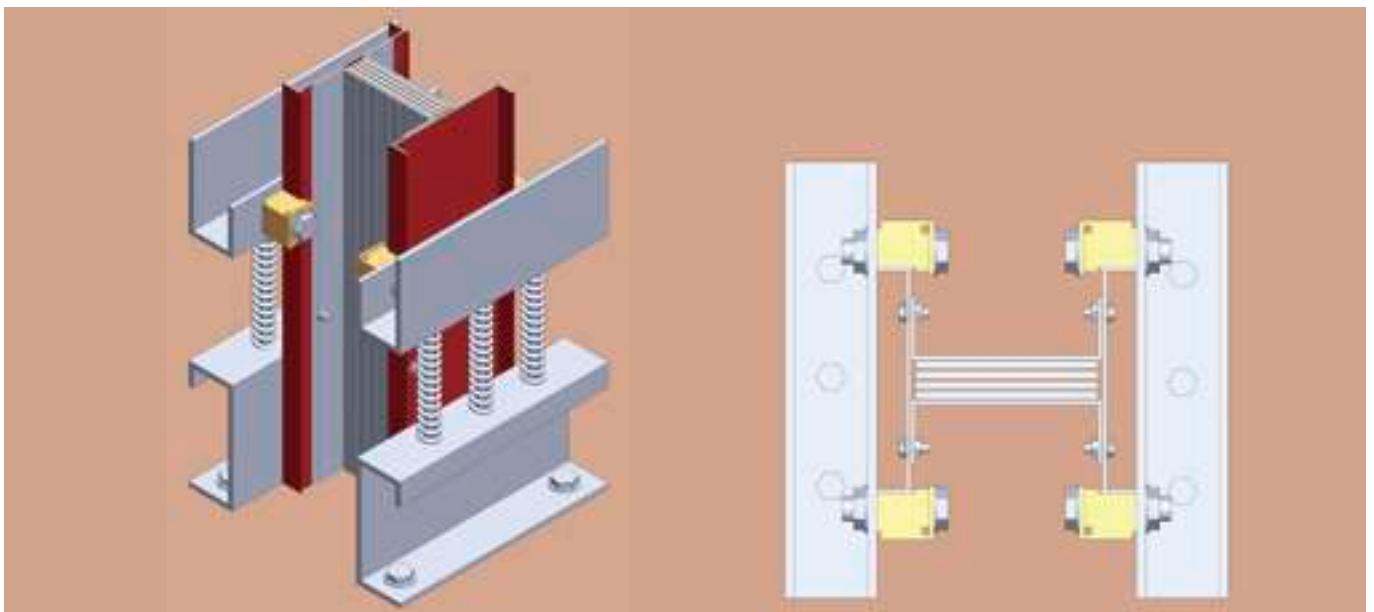
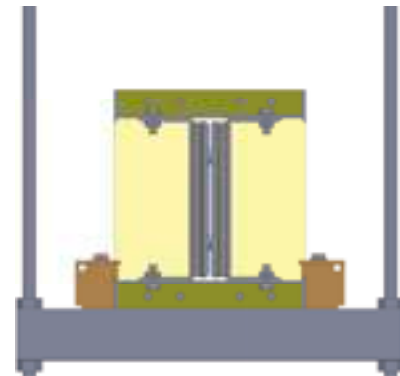
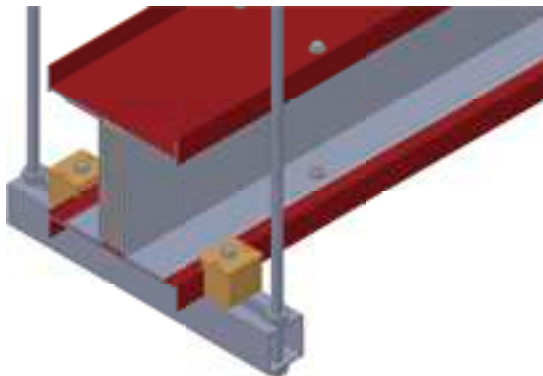
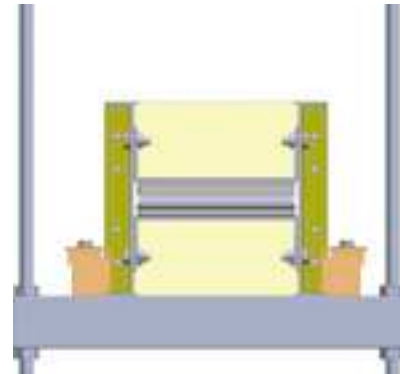
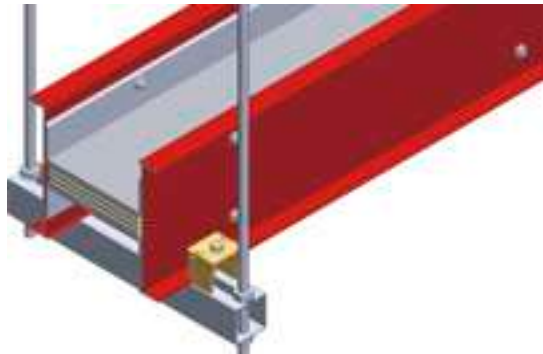
END COVER

WHERE THE RUN IS END WITH ADDING A COVER FOR SAFETY ISSUE.



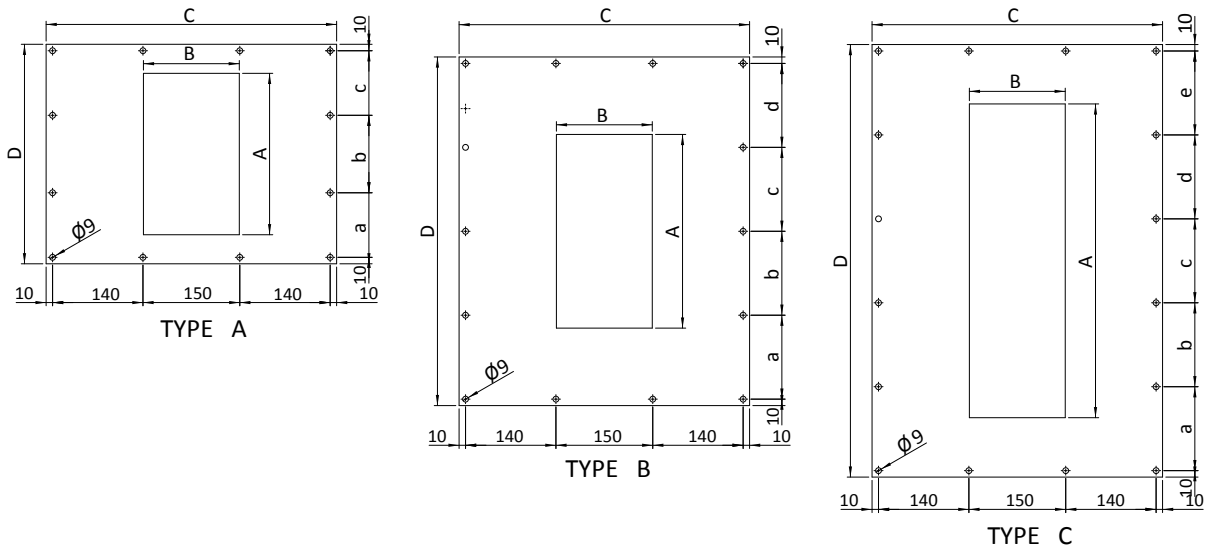
ELEMENTS & DIMENSIONS (FITTINGS)

HANGERS FOR VERTICAL & HORIZONTAL INSTALLATION



ELEMENTS & DIMENSIONS (FITTINGS)

DIMENSIONS(1)

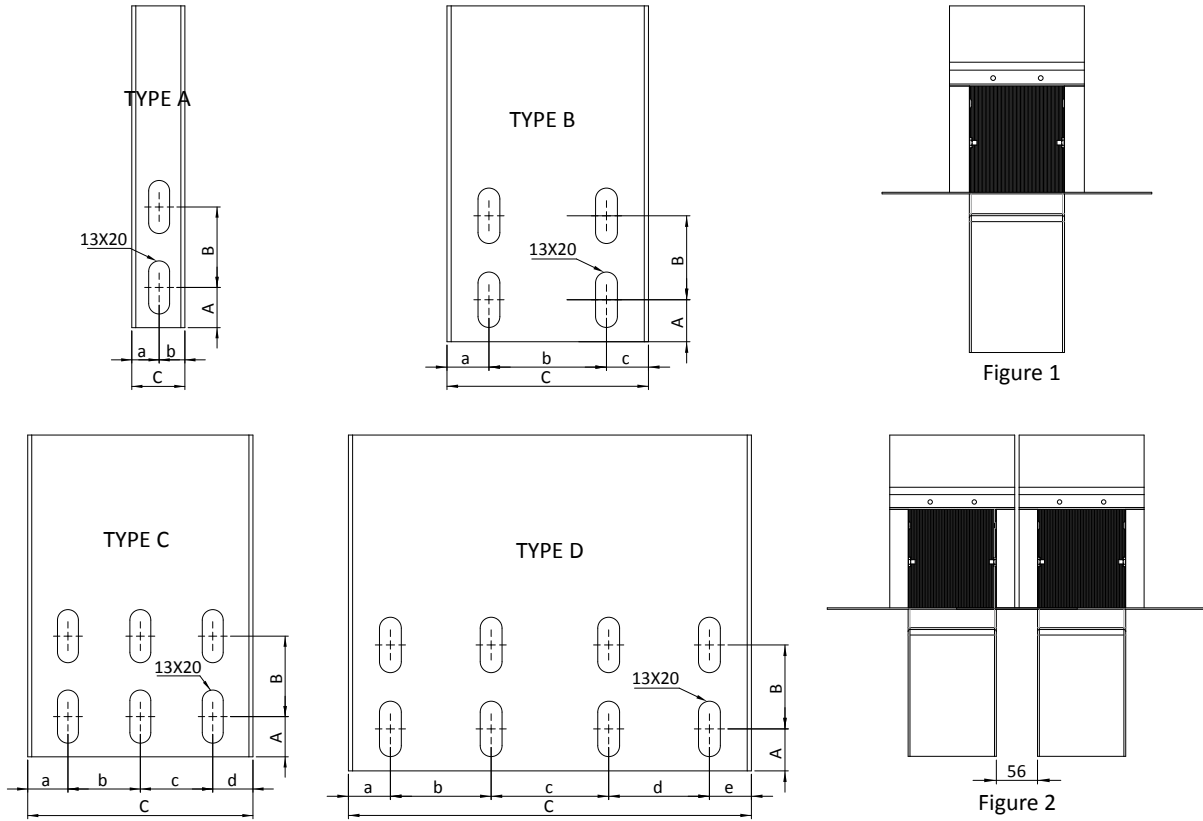


DIMENSIONS DETAIL

(AL)	TYPE	A	B	C	D	a	b	c	d	e
400A	A	90	148	450	340	100	120	100	-	-
630A	A	113	148	450	340	100	120	100	-	-
800A	A	130	148	450	340	100	120	100	-	-
1000A	A	160	148	450	340	100	120	100	-	-
1250A	A	190	148	450	340	100	120	100	-	-
1600A	A	240	148	450	340	100	120	100	-	-
2000A	A	290	148	450	450	140	150	140	-	-
2500A	B	386	148	450	540	130	130	130	130	-
3200A	C	486	148	450	670	130	130	130	130	130
4000A	C	586	148	450	670	130	130	130	130	130
(CU)	TYPE	A	B	C	D	a	b	c	d	e
400A	A	82	148	450	340	100	120	100	-	-
630A	A	90	148	450	340	100	120	100	-	-
800A	A	100	148	450	340	100	120	100	-	-
1000A	A	113	148	450	340	100	120	100	-	-
1250A	A	130	148	450	340	100	120	100	-	-
1600A	A	170	148	450	340	100	120	100	-	-
2000A	A	210	148	450	340	100	120	100	-	-
2500A	A	250	148	450	340	100	120	100	-	-
3200A	A	346	148	450	450	140	150	140	-	-
4000A	B	426	148	450	540	130	130	130	130	-
5000A	C	506	148	450	670	130	130	130	130	130

ELEMENTS & DIMENSIONS (FITTINGS)

DIMENSIONS(2)



DIMENSIONS DETAIL

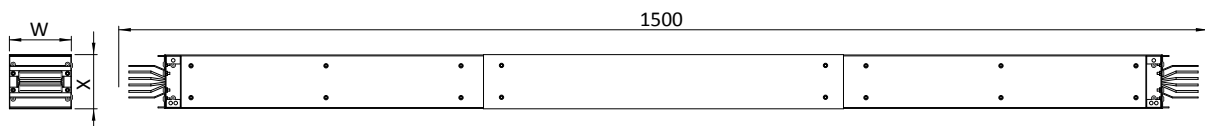
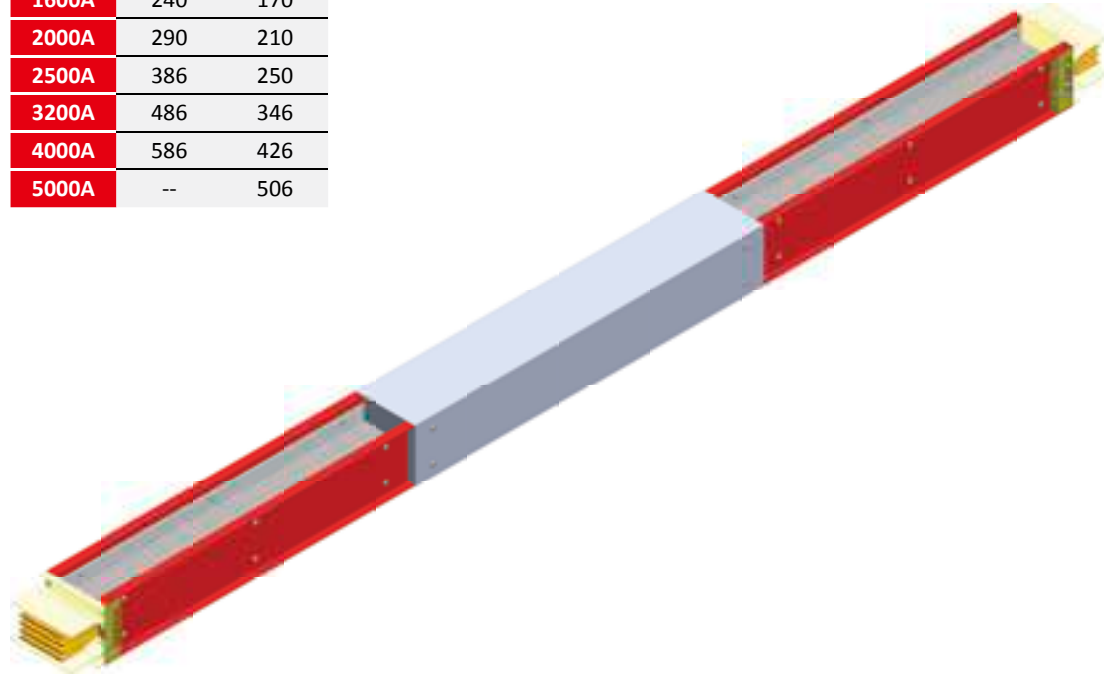
(AL)	TYPE	Figure	A	B	C	a	b	c	d	e
400A	A	1	25	50	40	20	20	-	-	-
630A	A	1	25	50	63	31.5	31.5	-	-	-
800A	A	1	25	50	80	40	40	-	-	-
1000A	B	1	25	50	110	25	60	25	-	-
1250A	C	1	25	50	140	25	45	45	25	-
1600A	D	1	25	50	190	20	50	50	50	20
2000A	D	1	25	50	240	45	50	50	50	45
2500A	C	2	25	50	140	25	45	45	25	-
3200A	D	2	25	50	190	20	50	50	50	20
4000A	D	2	25	50	240	45	50	50	50	45
(CU)	TYPE	Figure	A	B	C	a	b	c	d	e
400A	A	1	25	50	32	16	16	-	-	-
630A	A	1	25	50	40	20	20	-	-	-
800A	A	1	25	50	50	25	25	-	-	-
1000A	A	1	25	50	63	31.5	31.5	-	-	-
1250A	A	1	25	50	80	40	40	-	-	-
1600A	B	1	25	50	120	25	70	25	-	-
2000A	C	1	25	50	160	25	55	55	25	-
2500A	D	1	25	50	200	25	50	50	50	25
3200A	B	2	25	50	120	25	70	25	-	-
4000A	C	2	25	50	160	25	55	55	25	-
5000A	D	2	25	50	200	25	50	50	50	25

OTHER SPECIAL ELEMENTS

EXPANSION SECTION

(W)	AL	CU
400A	90	82
630A	113	90
800A	130	100
1000A	160	113
1250A	190	130
1600A	240	170
2000A	290	210
2500A	386	250
3200A	486	346
4000A	586	426
5000A	--	506

(X)	3P	4P	5P
	148	148	148

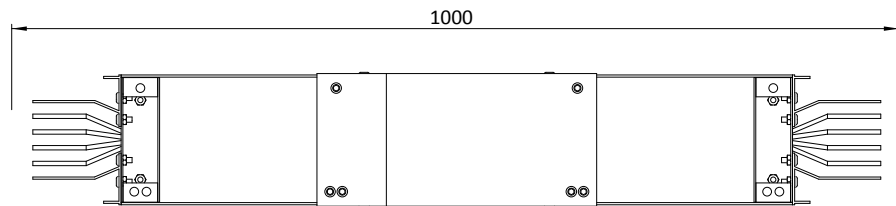
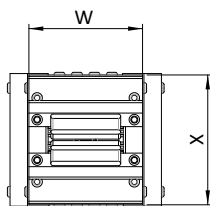
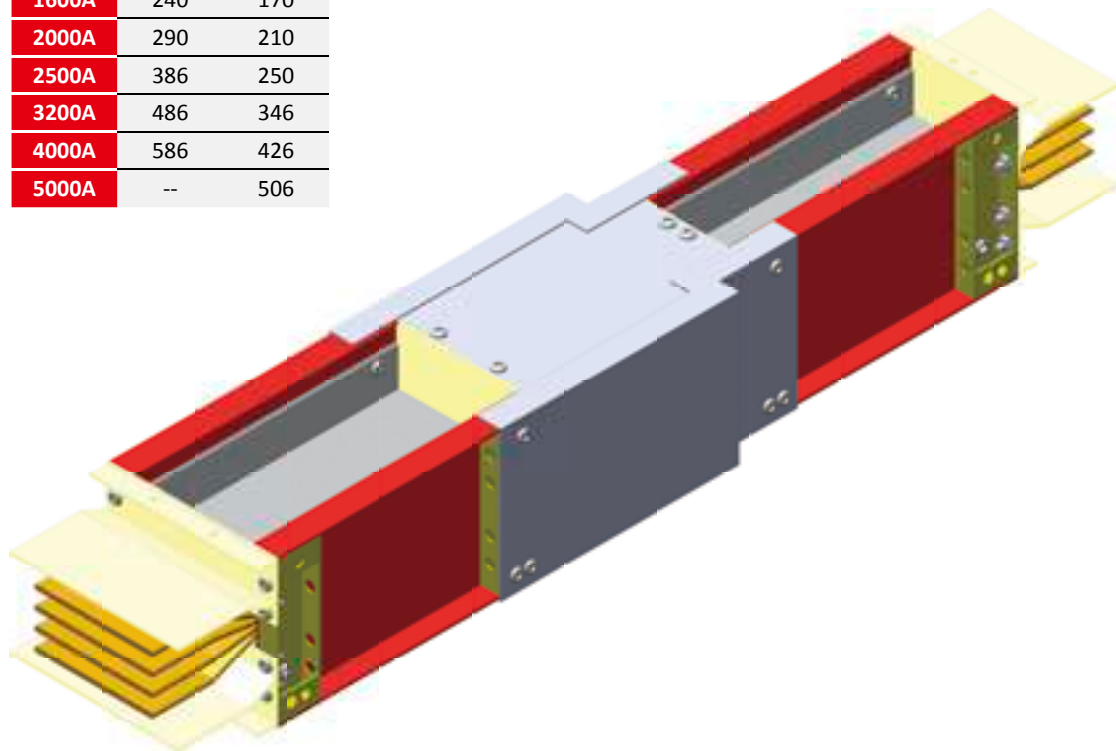


OTHER SPECIAL ELEMENTS

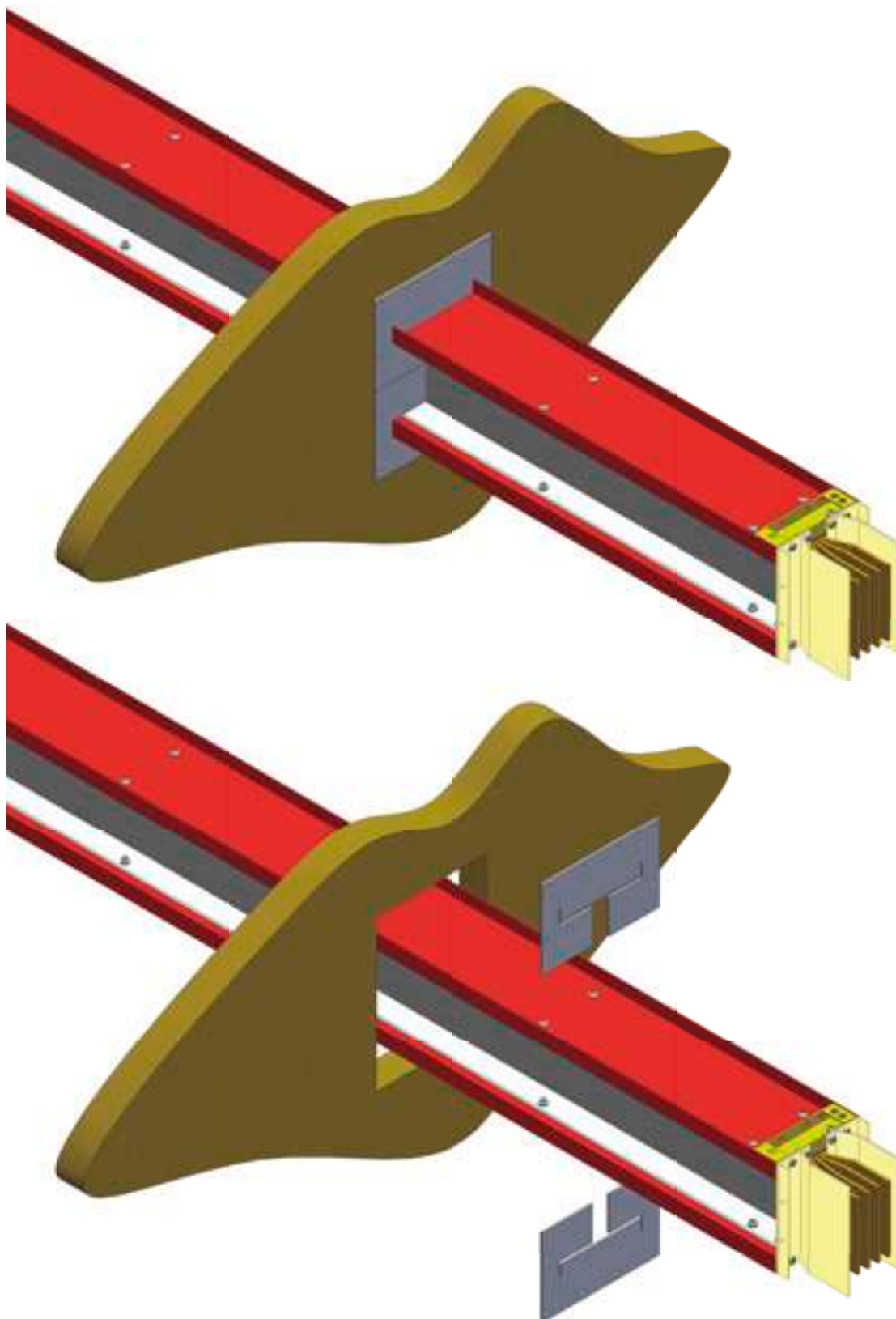
REDUCER SECTION

(W)	AL	CU
400A	90	82
630A	113	90
800A	130	100
1000A	160	113
1250A	190	130
1600A	240	170
2000A	290	210
2500A	386	250
3200A	486	346
4000A	586	426
5000A	--	506

(X)	3P	4P	5P
	148	148	148



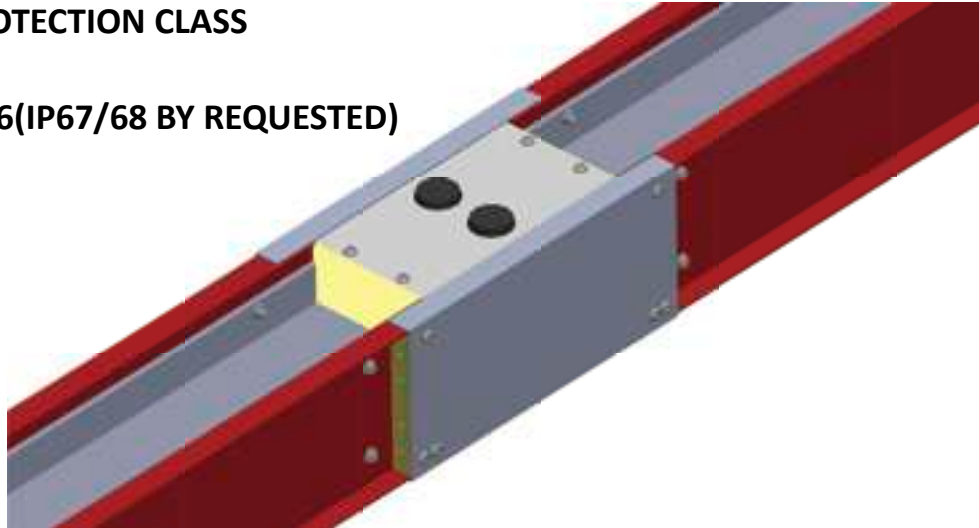
WALL/FLOOR FLANGE



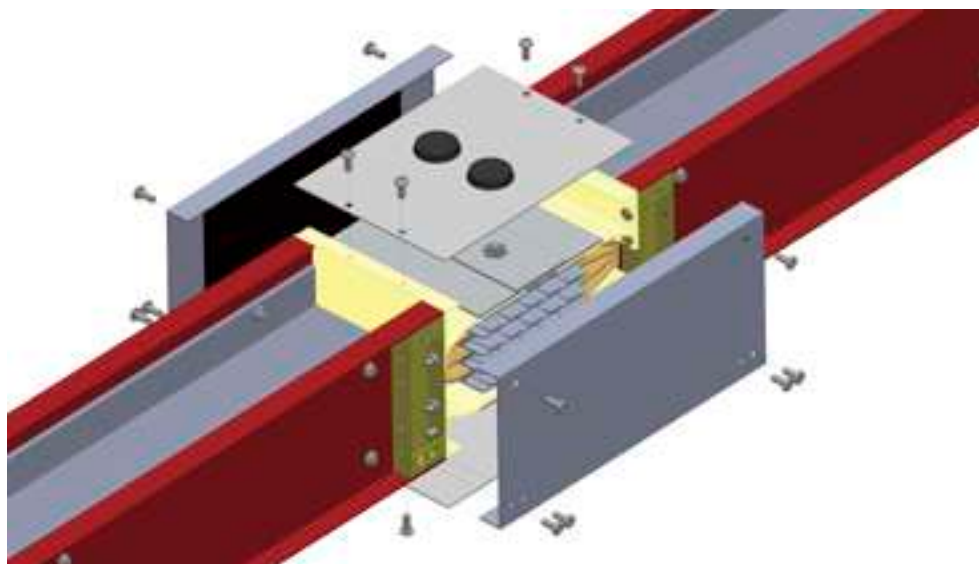
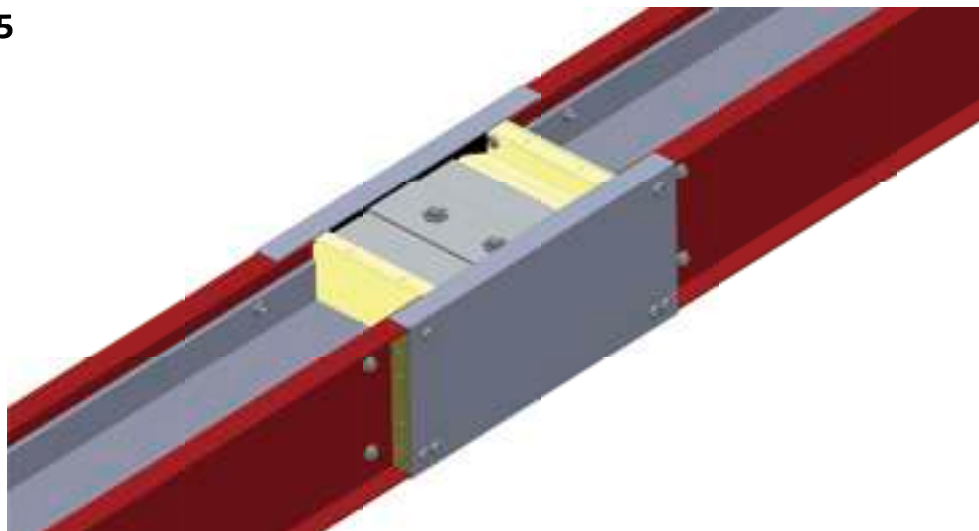
SPECIAL NOTES

PROTECTION CLASS

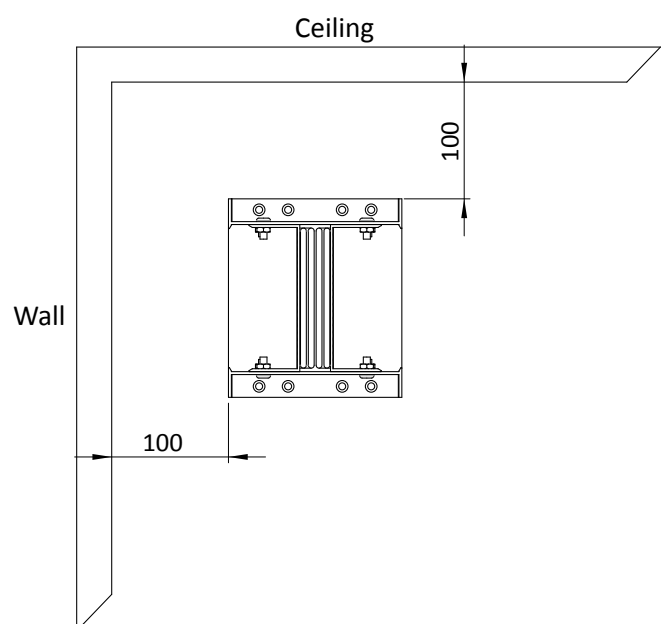
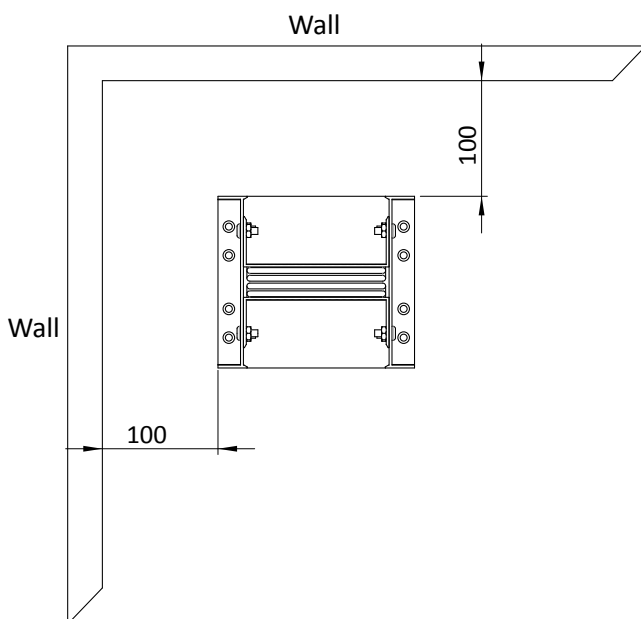
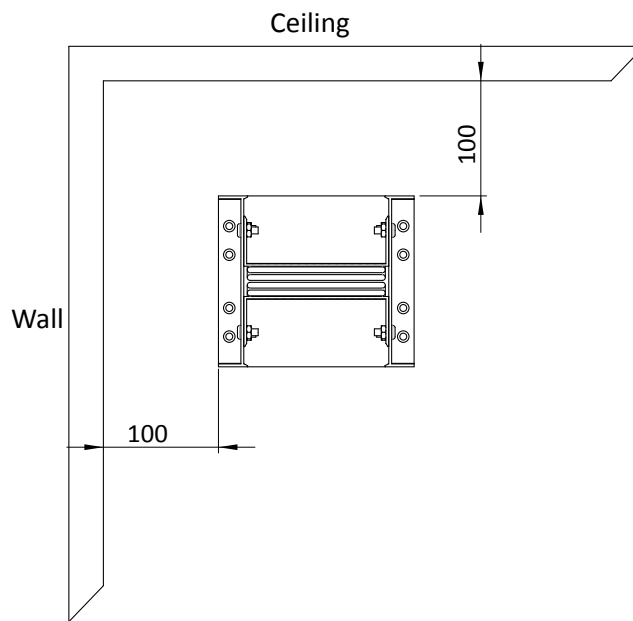
IP66(IP67/68 BY REQUESTED)



IP55



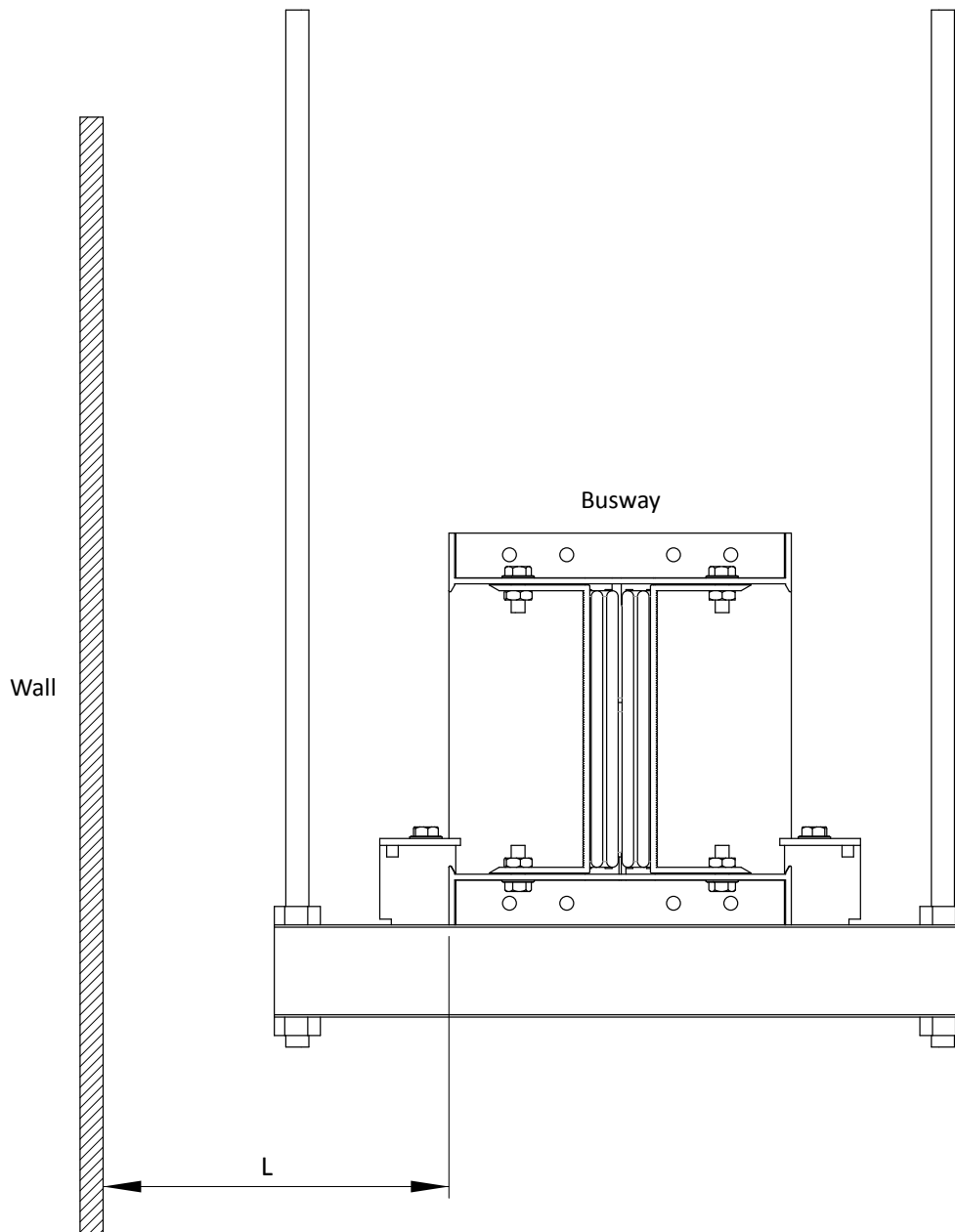
REQUIREMENT OF MINIMUM CLEARANCE FOR HEAT DISSIPATION



SPECIAL NOTES

REQUIREMENT OF MINIMUM CLEARANCE FOR TAP-OFF BOXES
(PLUG-IN UNITS)

Rate current of plugs(A)	100	250	400	630	800A	1000	1250
L	135	135	155	155	215	215	215



TECHNICAL DATA

TECHNICAL DATA / TECHNICS / TECHNICAL INFORMATION

COPPER CONDUCTORS-RAME

Rated Current (Ambient Temperature 40°C)	Amps	400	630	800	1000	1250 _(1350°)	1600	2000	2500	3200 _(3000°)	4000	5000	6300
Reference Standard	IEC 61439-6, IEC 60439-1 & 2, UL 857**												
Operation Voltage	Volts	1000 (1200VAC*)											
Frequency	Hz	50/60											
Protection Degree (IP Class)	IP 55/IP 65/IP 66, IP 67/68***												
Phase Rated Short-Circuit withstand	KA	32	32	32	50	50	65	65	65	100	100	100	100
Phase Rated Peak Short-Circuit withstand ≥ 3 Cycles	KA	65	65	65	105	105	143	143	143	220	220	220	220
Impedance Value													
Phase Resistance (R20)	mΩ/m	0.099	0.096	0.076	0.054	0.042	0.03	0.023	0.0175	0.015	0.0115	0.0087	0.0075
Phase Reactance (X)	mΩ/m	0.032	0.03	0.025	0.02	0.021	0.017	0.013	0.01	0.006	0.005	0.004	0.004
Phase Impedance (Z)	mΩ/m	0.104	0.101	0.080	0.058	0.047	0.034	0.026	0.020	0.016	0.013	0.010	0.009
Thermal Phase Resistance (Rt)	mΩ/m	0.127	0.127	0.056	0.052	0.039	0.029	0.024	0.018	0.012	0.0115	0.0095	0.0068
$\Delta V = mV/M/A$ For Distributed Load	cos = 0.7	0.0922	0.0886	0.0711	0.0521	0.0444	0.0331	0.0254	0.0194	0.0148	0.0116	0.0089	0.0081
	cos = 0.75	0.0954	0.0918	0.0735	0.0537	0.0454	0.0337	0.0258	0.0197	0.0152	0.0119	0.0092	0.0083
	cos = 0.8	0.0984	0.0948	0.0758	0.0552	0.0462	0.0342	0.0262	0.0200	0.0156	0.0122	0.0094	0.0084
	cos = 0.85	0.1010	0.0974	0.0778	0.0564	0.0468	0.0345	0.0264	0.0201	0.0159	0.0124	0.0095	0.0085
	cos = 0.9	0.1030	0.0995	0.0793	0.0573	0.0470	0.0344	0.0264	0.0201	0.0161	0.0125	0.0096	0.0085
	cos = 0.95	0.1040	0.1006	0.0800	0.0575	0.0465	0.0338	0.0259	0.0197	0.0161	0.0125	0.0095	0.0084
	cos = 1	0.0990	0.0960	0.0760	0.0540	0.0420	0.0300	0.0230	0.0175	0.0150	0.0115	0.0087	0.0075
Weight (4 Pole)	Kg/m	14	15	18	25	29	36	49	61	72	98	122	145
Number of Trunk		1	1	1	1	1	1	1	1	2	2	2	3
Joule Losses(3RF) at Nominal current	W/m	60.96	151.22	107.52	156.00	182.81	222.72	288.00	337.50	368.64	552.00	712.50	809.68

Note: (*)Please Contact Your Local Agent for Quotation about required Ratings. (**) In Accordance with UL 857. (***) Only Available with Straight Length as an Optional Feature.

Calculate new voltage drop $V_d(3P3W) = \text{Amps Load} \times \sqrt{3} \times (R \cos \theta + X \sin \theta)$, where $\cos \theta = \text{Power Factor}$.

Please Contact Your local Agent for Free Service of COMPAC with electrical calculations.

TECHNICAL DATA / TECHNICS / TECHNICAL INFORMATION

ALMINIUM CONDUCTORS-ALLUMINIO

Rated Current	Amps	400	630	800	1000	1250 _(1350°)	1600	2000	2500	3200 _(3000°)	4000	5000	
Reference Standard	IEC 64139-6, IEC 60439-1 & 2, UL 857**												
Operation Voltage	Volts	1000 (1200VAC*)											
Frequency	Hz	50/60											
Protection Degree (IP Class)	IP 55/IP 65/IP 66, IP 67/68***												
Phase Rated Short-Circuit withstand	KA	32	32	32	50	50	50	50	50	80	80	80	
Phase Rated Peak Short-Circuit withstand ≥ 3 Cycles	KA	65	65	65	105	105	105	105	105	176	176	176	
Impedance Value													
Phase Resistance (R20)	mΩ/m	0.105	0.081	0.068	0.059	0.047	0.035	0.031	0.023	0.016	0.015	0.012	
Phase Reactance (X)	mΩ/m	0.025	0.021	0.019	0.017	0.014	0.011	0.01	0.009	0.006	0.005	0.003	
Phase Impedance (Z)	mΩ/m	0.108	0.084	0.071	0.061	0.049	0.037	0.033	0.025	0.017	0.016	0.012	
Thermal Phase Resistance (Rt)	mΩ/m	0.112	0.085	0.079	0.071	0.044	0.035	0.033	0.025	0.019	0.0163	0.0119	
$\Delta V = mV/M/A$ For Distributed Load	cos = 0.7	0.0717	0.0717	0.0612	0.0534	0.0429	0.0324	0.0288	0.0225	0.0155	0.0141	0.0105	
	cos = 0.75	0.0746	0.0746	0.0636	0.0555	0.0445	0.0335	0.0299	0.0232	0.0160	0.0146	0.0110	
	cos = 0.8	0.0774	0.0774	0.0658	0.0574	0.0460	0.0346	0.0308	0.0238	0.0164	0.0150	0.0114	
	cos = 0.85	0.0799	0.0799	0.0678	0.0591	0.0473	0.0355	0.0316	0.0243	0.0168	0.0154	0.0118	
	cos = 0.9	0.0821	0.0821	0.0695	0.0605	0.0484	0.0363	0.0323	0.0246	0.0170	0.0157	0.0121	
	cos = 0.95	0.0835	0.0835	0.0705	0.0614	0.0490	0.0367	0.0326	0.0247	0.0171	0.0158	0.0123	
	cos = 1	0.0810	0.0810	0.0680	0.0590	0.0470	0.0350	0.0310	0.0230	0.0160	0.0150	0.0120	
Weight (4 Pole)	Kg/m	9	12	14	16	21	24	25	33	48	50	66	
Number of Trunk	Nos.	1	1	1	1	1	1	1	2	2	2	3	
Joule Losses(3RF) at Nominal current	W/m	53.76	101.21	151.68	213.00	206.25	268.80	396.00	468.75	583.68	782.40	892.50	

Note: (*)Please Contact Your Local Agent for Quotation about required Ratings. (**) In Accordance with UL 857. (***) Only Available for Feeder Length as an Optional Feature.

All Rated Current are Related to an ambient temperature at 40°C.

The Rated Current Should Be Derating as Shown Multipliers by Higher Ambient Temperatures.

	35°C	45°C	50°C
	1.06	0.96	0.84

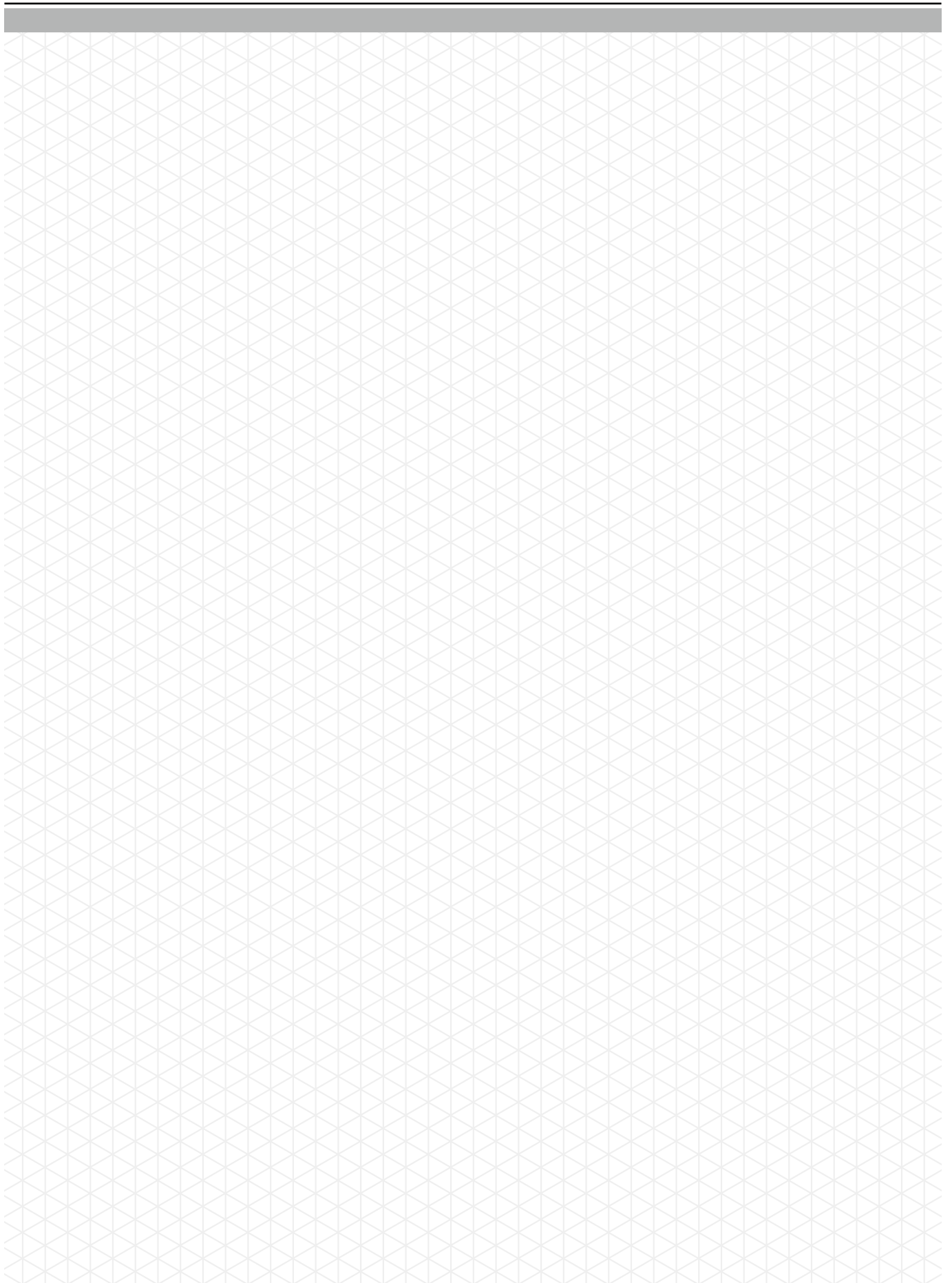
Please Do Not Hesitate to Contact Your Local Agent For getting Further Information For Your Needs, or You can Send us an E-mail to info@compacelectric.eu

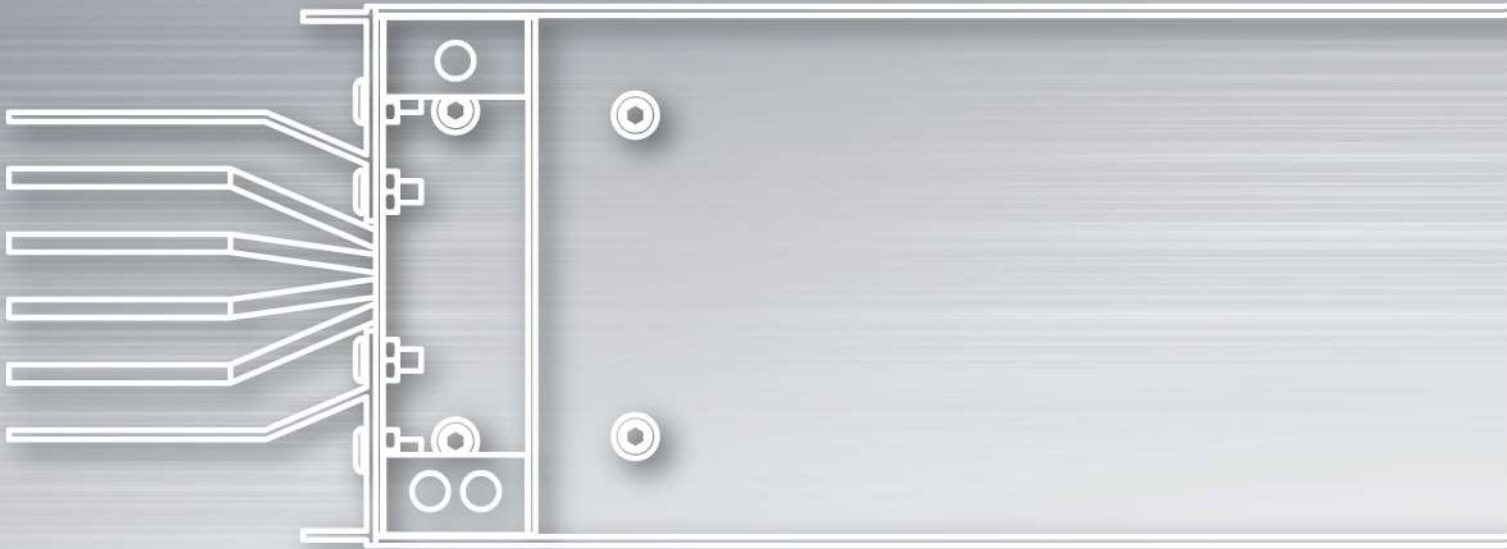
NOTE



Lined area for notes, consisting of multiple horizontal lines.

NOTE





Your Idea System!

COMPAC ELECTRIC MFG. CO., LTD.
No. 2, Puding Road, Xinwu District,
Taoyuan City 32749, Taiwan (R.O.C.)
Phone. +886 3 477 9898