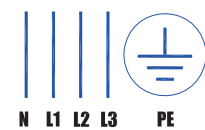


Versions

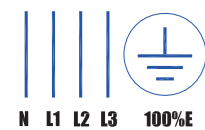
3P + PE



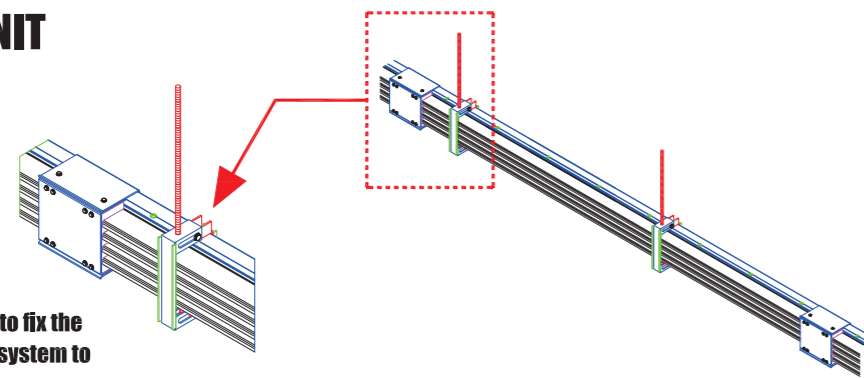
3P + N + PE



3P + N + 100%E

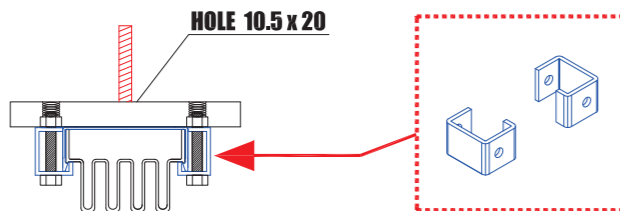


FIXING UNIT



This unit is used to fix the busbar trunking system to the wall or to the suspension bracket (not included).

SIMPLY FIXING BRACKET



1 Insert the two units by following the positions.

2 Check junction in position with fixing four screws at the bottom side of the lower cover.

3 Insert five pieces of insulation plate in corresponding notch between phases and cover edge.

4 Assembling upper cover with fixing eight screws in position.

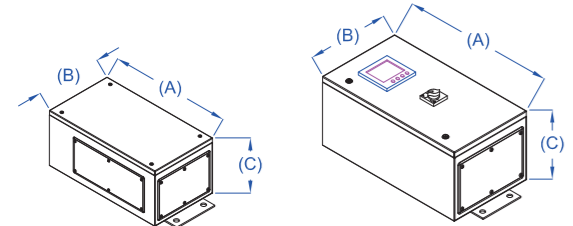
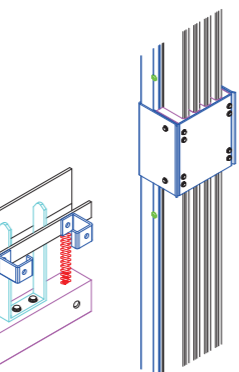
5 Final check and completed

SysLINK TAP-OFF BOXES

TAP-OFF BOX		3	010	01		
Service	3	3 PH, 3W + PE				
	4	3 PH, 4W + PE				
Contact Rating (A)	010	100A				
	016	160A				
	025	250A				
	040	400A				
TAP-OFF BOX for MCB		(A)	(B)	(C)		
	01	9P	280	180	120	
	02	12P	340	180	120	
	03	15P	400	180	120	
	TAP-OFF BOX for MCCB	04	100 AF	310	210	200
		05	160 AF	310	210	200
		06	250 AF	310	210	200
	07	400 AF	440	280	220	
Special Option	Metering					
	Metering + RS485					
	1P / 2P / 3P / SPD (Surge Protection Device)					
	Phase sequency Indicator					
	Others --- Consult your Local Agent					

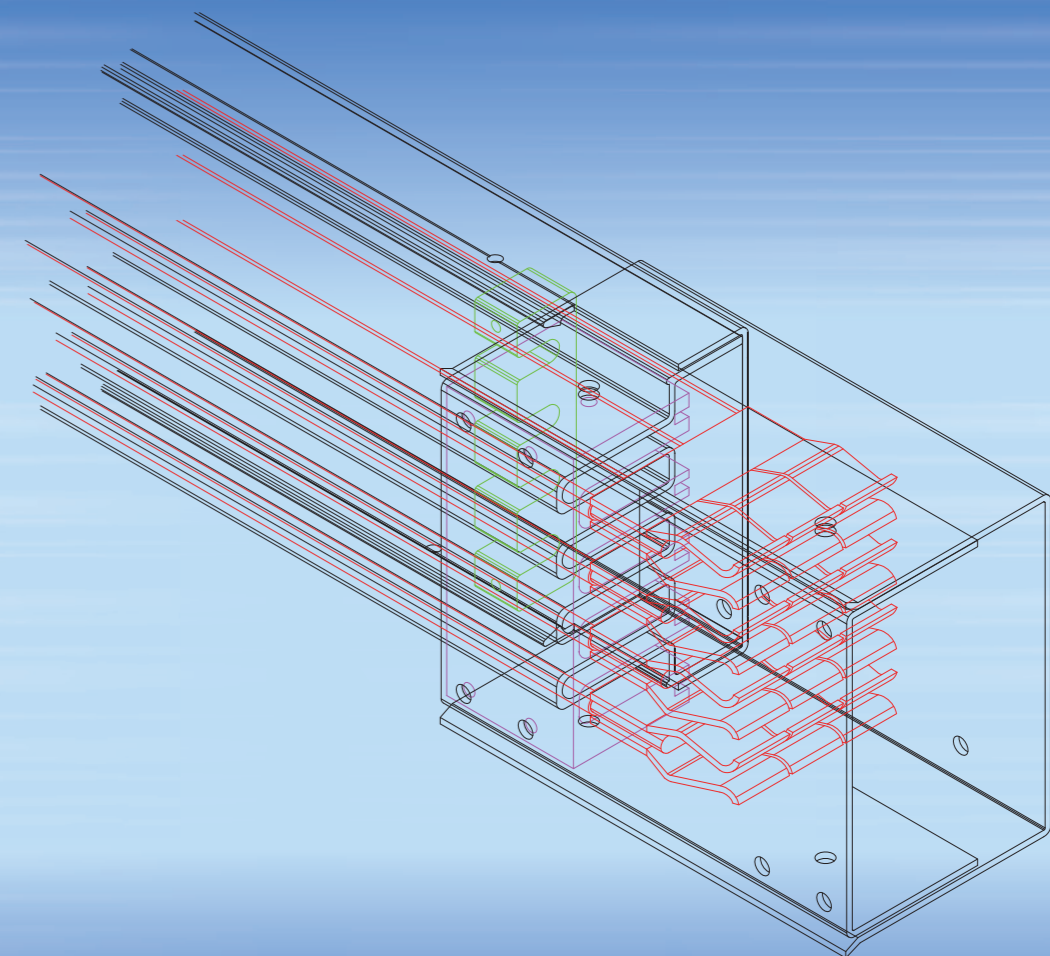
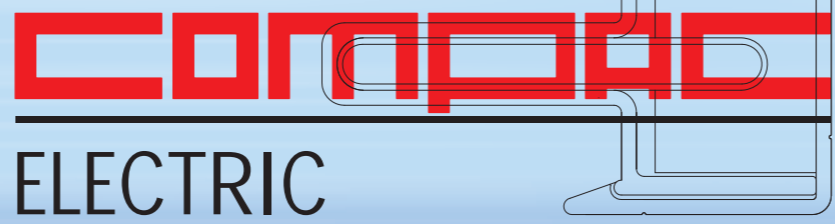
SUSPENSION UNIT FOR VERTICAL RUNS

This unit is used to suspend the busbar trunking in the vertical runs. The spring (if had) balance the movement in the axial direction of the busbar trunking.



SysLINK

BUSBAR TRUNKING SYSTEM
BUSWAY
160A - 800A



SysLINK

COMPAC ELECTRIC

ITALY
Via Pievaiola Z.I. La Potassa I-06068
Tavernelle di panicale (PG)-Italia
Phone. +41 91 8505400
europe@compacelectric.eu

TAIWAN
No.6, Ln. 24, Sec. 2, Zhonghua S. Rd.,
XinWu Dist, Taoyuan City, Taiwan (R.O.C.)
Phone. +886 3 477 9898
asia@compacelectric.eu



SysLINK

The SysLINK is designed for compact power distribution network for industrial, commercial, residential, data center and service buildings.

Due to Patented special shape of designed and aluminum alloy extrude technologies, The SysLINK create excellent performance.

The SysLINK busbar trunking system is provide in both aluminum conductors and copper conductors with 160A, 250A, 400A, 630A and 800A.

The standard version is offered 3P+N+PE with the neutral and the phase in same cross-section are and extruded aluminum alloy housing as protection conductor or 3P+N+100%E with the earth with same cross-section of the phase.

The SysLINK busbar trunking system can be painted with specified color in joint cover or aluminum alloy housing by customer requested.

The standard protection degree of The SysLINK busbar trunking system is IP55 by following the standard installation.

There are 3 tap-off outlets with standard 3 meters distribution length along on one side. Elements with special number of tap-off outlets are available up to maximum of 6 tap-off outlets for each 3meters.

The standard tap-off boxes are available with metal casing, empty, with fuse holder, with circuit breaker, with MCB, with automatic switch or with metering device (RS 485, Ethernet).

The bracket system of The SysLINK has a fixing (with Springs) both for the horizontal lines and for the rise lines.



The SysLINK brings most important features~

1. Compact Designed
2. Semi-Sandwich Structure
3. CLASS B Insulation(CLASS F can be an Option)
4. Excellent Heat Dissipation
5. Easy and Fast Installation
6. Low Voltage Drop
7. More than 100% Grounding Capability(Optional)
8. 2 Times of Service Life than Power Cable
9. 100% REUSE/RECYCLE
10. Most Cost-Effective Investment



The SysLINK is most advanced design for sub-power distribution, especially for power connection to each critical individual equipment and flexible power expansions.

Easy and fast installation can fulfill all kind of applications. Through RS485 or Ethernet port of the Smart Tap-off unit can get all data of power, also can provide demand, harmonics analysis from 2nd to 60th both for current and voltage to understand power quality situation.



TECHNICAL DATA SysLINK CARATTERISTICHE TECNICHE

SPECIFICATIONS

Conductors Type/Conduttori attivi

	ALUMINIUM/ALLUMINIO					COPPER/RAME			
Rated Current/ Corrente nominale	160	250	400	630	800	250	400	630	800

General Informations

Caratteristiche generali

Reference Standard/ Norma di riferimento: IEC 61439-6(2012), IEC 60439-1(2004)&2

Rated Operation Voltage/ Tensione nominale d'impiego-Ue	V	1000							
Rated Insulation Voltage/ Tensione nominale d'isolamento-Ui	V	1000							
Frequency/ Frequenza	Hz	50/60							
Protection Degree/Grado di protezione	IP	IP55							
Insulation Class/Classe di isolamento		B / F*							

Current Permitted

Correnti ammesse

Rated short Circuit Withstand/ Breve durata barra fase(1s)-Icw	KA	25	30	40	50	50	30	40	40	50
Rated short Circuit Withstand/ Cresta barra fase(1s)-Ipk	KA	55	66	88	110	110	66	88	88	110
Phase-PE Rated short Circuit Withstand/ Breve durata barra fase di protezione(1s)-Icw	KA	15	18	24	30	30	18	24	24	30
Phase-PE Rated short Circuit Withstand/ Cresta barra fase di protezione-Ipk	KA	33	40	53	66	66	40	53	53	66

Conductors/ Conduttori attivi

Phase Resistance/ Resistenza fase -R20	mΩ/m	0.400	0.250	0.167	0.101	0.101	0.233	0.146	0.097	0.075
Phase Reactance/ Reattanza fase -X	mΩ/m	0.280	0.175	0.117	0.071	0.071	0.163	0.102	0.068	0.052
Phase Impedence/ Impedenza fase -Z	mΩ/m	0.488	0.305	0.203	0.123	0.123	0.285	0.178	0.119	0.091
Phase Resistance/ Resistenza fase a equilibrio termico-Rt	mΩ/m	0.520	0.325	0.217	0.131	0.131	0.303	0.190	0.126	0.097

Protection Conductors/ Conduttori di protezione

Cross-section/ Sezione -S(Pe)	mm²	696	1,054	1,138	1,290	1,290	696	1,054	1,138	1,290
Cross-Section/ Sezione equivalente in rame(-Cu)	mm²	417	632	683	774	774	417	632	683	774

Other features/ Altre caratteristiche

cos φ = 0.75	0.4852	0.3033	0.2022	0.1226	0.1226	0.2830	0.1769	0.1179	0.0909	
cos φ = 0.8	0.4880	0.3050	0.2033	0.1233	0.1233	0.2847	0.1779	0.1186	0.0914	
cos φ = 0.85	0.4875	0.3047	0.2031	0.1232	0.1232	0.2844	0.1777	0.1185	0.0913	
cos φ = 0.9	0.4820	0.3013	0.2009	0.1218	0.1218	0.2812	0.1757	0.1172	0.0903	
cos φ = 0.95	0.4674	0.2921	0.1948	0.1181	0.1181	0.2727	0.1704	0.1136	0.0876	
cos φ = 1	0.4000	0.2500	0.1667	0.1011	0.1011	0.2333	0.1458	0.0972	0.0749	
Weigth/ Peso - P	Kg/m	4.9	5.7	6.6	8.3	8.3	6.4	8.6	11.0	13.3
Overall Dimensions/ Dimensioni d'ingombro	mm(LxH)	41 x 100	56 x 100	61 x 100	70 x 100	70 x 100	41 x 100	56 x 100	61 x 100	70 x 100

*: Option

All Rated Current are Related to an ambient temperature at 40°C.

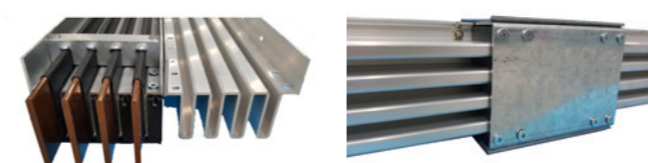
35°C	40°C	45°C	50°C
------	------	------	------

The Rated Current Should Be Derating as Shown Multipliers by Higher Ambient Temperatures.

1.06	1	0.96	0.84
------	---	------	------

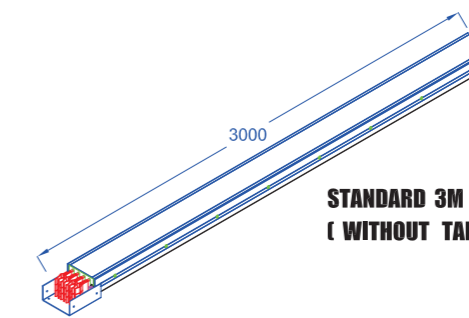
La corrente nominale è riferita ad una temperatura ambiente media di 40°C.

Per temperature ambiente superiori la corrente nominata sarà ridotta moltiplicando per il coefficiente.

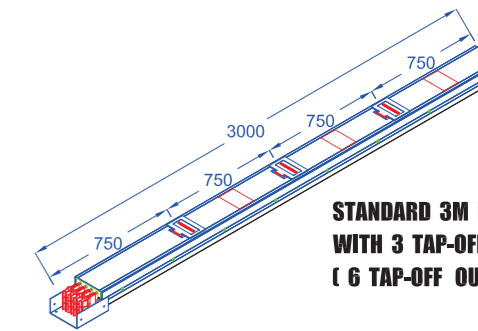


Please Do Not Hesitate to Contact Your Local Agent For Getting Further Information For Your Needs, or You Can Send E-mail to info@compacetruc.eu For Assistant.

TRANSPORTATION LENGTH & DISTRIBUTION LENGTH



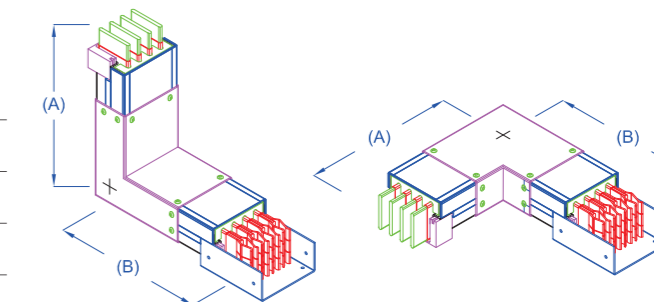
STANDARD 3M TRANSPORTATION LENGTH (WITHOUT TAP-OFF OUTLET)



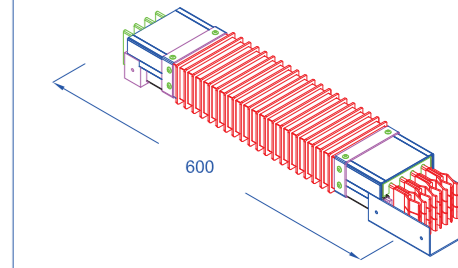
STANDARD 3M DISTRIBUTION LENGTH WITH 3 TAP-OFF OUTLETS (6 TAP-OFF OUTLETS BY REQUEST)

VERTICAL ELBOW & HORIZONTAL ELBOW

	(A) mm	(B) mm
std	250	250
min	250	250
max	849	849



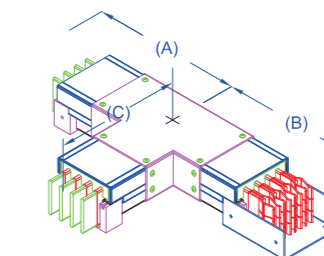
FLEXIBLE ELEMENT



AVAILABLE FOR 160 / 250 / 400 A

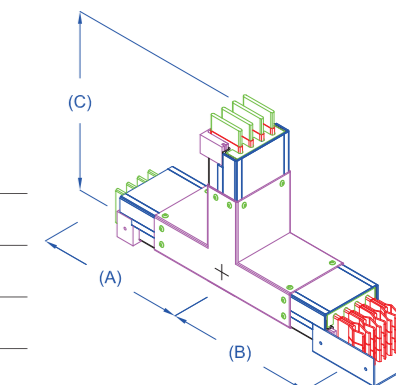
HORIZONTAL TEE

	(A) mm	(B) mm	(C) mm
std	300	300	300
min	300	300	300
max	849	849	849



VERTICAL TEE

	(A) mm	(B) mm	(C) mm
std	300	300	300
min	300	300	300
max	849	849	849



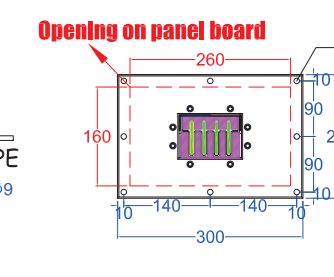
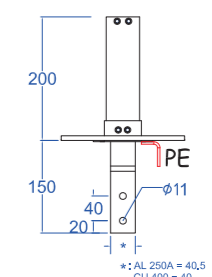
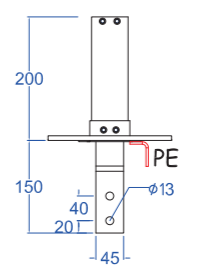
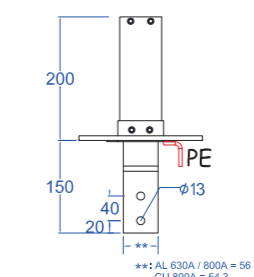
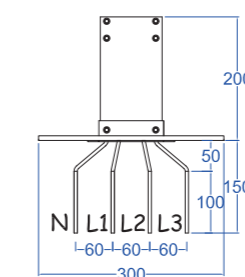
TERMINAL UNIT

AL 630/800A
CU 800A

AL 400A
CU 630A

AL 250A
CU 400A

AL 160A
CU 250A



Please Contact Local Agent or Factory for any assistance

